

# TAVOLI. TABLES.



CORBETTA SALVATORE



**TAVOLI.**  
**TABLES.**



CORBETTA SALVATORE

**Copyright Corbetta Salvatore Srl 04.2017**

**IMPORTANTE**

La Corbetta Salvatore srl si riserva di apportare, senza preavviso, modifiche nei materiali, nei rivestimenti, nelle finiture e nei disegni di stampa dei prodotti presentati in questo catalogo.

Tutti i colori dei materiali e delle finiture illustrate hanno solo valore indicativo in quanto soggetti alle tolleranze dei processi di stampa.

**IMPORTANT**

Corbetta Salvatore srl reserves the right to make all the suitable modifications (materials, covering, finishes and drawings) of all products present in this catalogue without previous notice.

Colors of materials and finishes are indicative and they are depending on the tolerances of the printing process.

INDICE PRODOTTI. INDEX PRODUCTS. PRODUITS INDEX. 6

**BASI TAVOLO. TABLE BASES.** 11

**FLEXO.** 83

**TAVOLI. TABLES.** 112

**PIANI TAVOLO. TABLE TOPS.** 146

## CORBETTA SALVATORE

Corbetta Salvatore Srl è stata fondata nel 1958 dal Signor Corbetta Salvatore come azienda specializzata nella produzione di mobili, sedie e tavoli per l'arredamento.

L'inizio dell'attività è in Cassago Brianza dove la produzione rimarrà fino al 1973. In quell'anno, per le sempre più forti problematiche create da una mancanza di spazio, l'azienda costruisce il primo capannone a Molteno. Nel 1990 amplia ulteriormente la sua sede con un nuovo capannone e magazzini fino ad arrivare all'odierna struttura sviluppata su 36000 mq dei quali 8000 coperti.

Al Sig. Corbetta si affiancano nella gestione il genero Alfio Valnegri ed i nipoti che oggi gestiscono l'azienda seguendo orme ed insegnamenti dei due amati predecessori.

Sempre attenta ai cambiamenti del mercato l'azienda crea negli anni numerosi altri marchi per il mercato dell'arredamento e per il settore del fai da te.

La continua ricerca di nuove idee e utilizzo di nuovi materiali permette a questa realtà di essere sempre innovativa e di soddisfare al meglio le richieste della clientela.

Corbetta Salvatore S.r.l. was founded in 1958 by Mr. Corbetta Salvatore as a company specialised in the production of furniture, chairs and tables for internal decor.

Operations began in Cassago Brianza and production activities continued there until 1973. In that year, due to the problems associated with lack of space, the company built its first warehouse in Molteno. In 1990, a further extension of the headquarters occurred with the new warehouse and stores, resulting in today's structure which spans 36,000 m<sup>2</sup> of which 8000 m<sup>2</sup> are covered.

Mr. Corbetta is supported in management activities by his son-in-law Alfio Valnegri and by his nephews, who currently manage the company following in the footsteps and teachings of their respected predecessors.

Always attentive to market changes, the company has created many other brands over the years for the furniture market and the DIY sector.

The continuous search for new ideas and use of new materials enables this firm to be continuously innovative and to ensure that its customers' needs and wishes can be optimised.

Fondée en 1958 par Salvatore Corbetta, la Société Corbetta est spécialisée dans la production de mobilier, chaises et tables pour l'ameublement.

Elle s'implante à Cassago Brianza (Italie) où la production restera jusqu'en 1973. Cette année-là, pour résoudre un manque de place de plus en plus crucial suite à l'expansion de l'activité, un hangar est construit à Molteno.

En 1990, ce bâtiment est complété par un siège social ainsi que d'autres locaux de production et de stockage, jusqu'à représenter aujourd'hui 36000 m<sup>2</sup>, dont 8000 m<sup>2</sup> couverts. M. Corbetta s'adjoint la collaboration de son gendre, Alfio Valnegri et de ses petits-enfants.

Cette 3<sup>e</sup> génération préside aujourd'hui à la destinée de la Société, en s'appuyant sur les enseignements et la voie tracée par ses aînés.

Toujours attentive aux évolutions du marché, la Société a su créer au fil des ans de nouvelles offres dans les domaines de l'ameublement mais aussi du «kit à faire soi-même»

Sa recherche continue de nouveaux développements et l'utilisation de nouveaux matériaux lui permettent de rester toujours innovante et de satisfaire au plus près les aspirations de sa clientèle.

# 60°

ANNIVERSARY  
1958-2018



Milano. Milan.



**RISTORANTI / RESTAURANT / RESTAURANT**

---



**BAR / BAR / BISTRO'**

---



**HOTEL / HOTEL / HOTEL**

---



**HALL / HALL / HALL**

---



**COMUNITA' / COMMUNITIES / COMMUNAUTES**

---

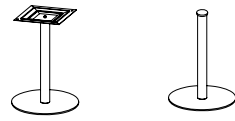


**RESIDENZA PRIVATA / PRIVATE HOME**

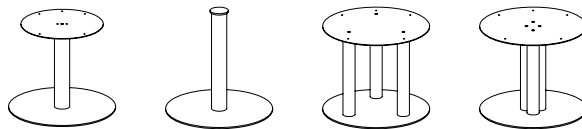
---

# BASI TAVOLO. TABLE BASES.

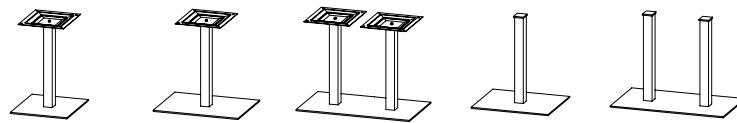
**12.**  
ROUND FLAT.



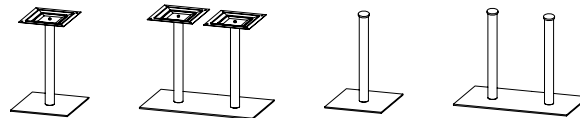
**16.**  
HEAVY.



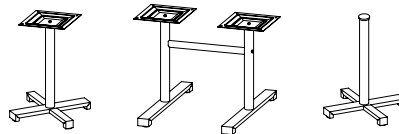
**20.**  
SQUARE FLAT  
square column



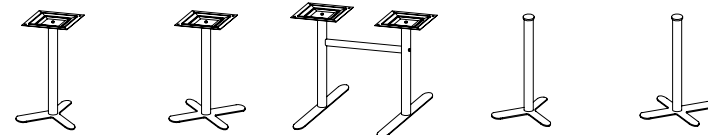
**24.**  
SQUARE FLAT  
round column



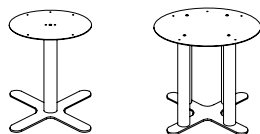
**26.**  
TETRIS



**30.**  
PETAL



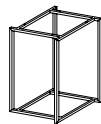
**35.**  
PETAL BIG



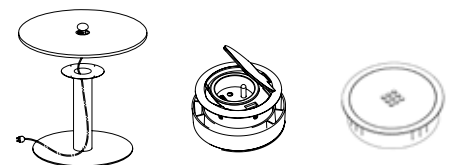
**38.**  
FLOOR FLAT



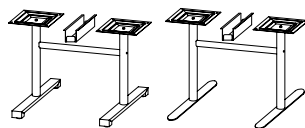
**40.**  
RUBIK



**42.**  
POWER



**46.**  
TOAST



**48.**  
DUPLEX



**50.**  
MINI FLAT



**52.**  
KORA





# BASI TAVOLO. TABLE BASES.

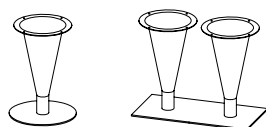
54.  
PINKO BIG



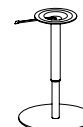
56.  
PINKO MINI



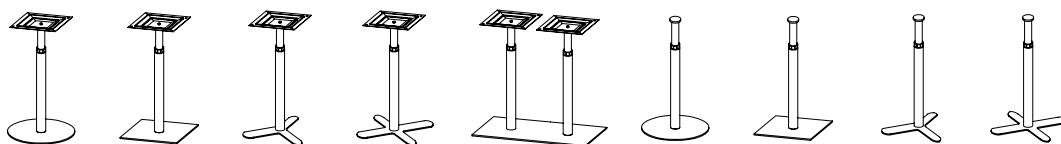
58.  
CONO



61.  
LIFT



62.  
UP & DOWN



66.  
BELL ROUND



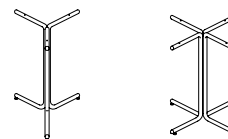
66.  
BELL SQUARE



68.  
POLO



69.  
BASIS



70.  
PLANE



71.  
TREND



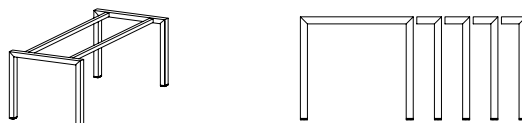
72.  
BLOCK SYSTEM



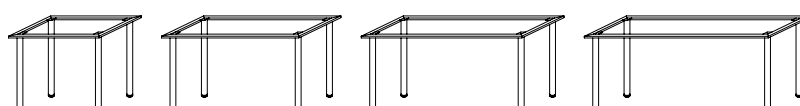
76.  
NEVADA



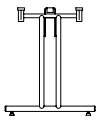
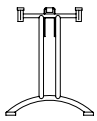
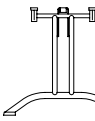
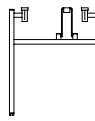
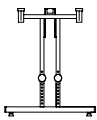
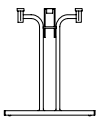
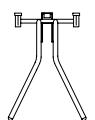
78.  
BRIDGE




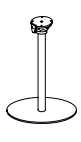
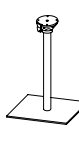
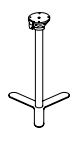
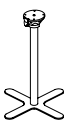
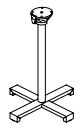
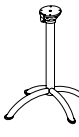
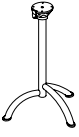
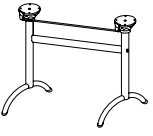
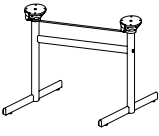
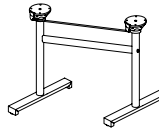
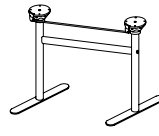
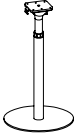
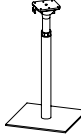

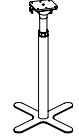
80.  
DOMINO



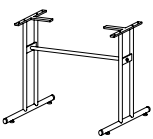


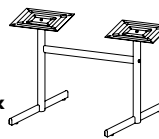
## flexo.device.A

86. FLEXO.1		88. FLEXO.2		89. FLEXO.2 big		90. FLEXO.3	
91. FLEXO.15		92. FLEXO.20		93. FLEXO.21			

## flexo.device.B

95. FLEXO.4		96. FLEXO.16		96. FLEXO.17		97. FLEXO.18	
97. FLEXO.19		98. FLEXO.23		98. FLEXO.5		99. FLEXO.14	
100. FLEXO.7		100. FLEXO.8		101. FLEXO.24		101. FLEXO.25	
102. FLEXO.1 up&down		102. FLEXO.2 up&down		103. FLEXO.3 up&down		103. FLEXO.4 up&down	

## flexo.fix

104. FLEXO.1 fix		104. FLEXO.2 fix		105. FLEXO.7 fix		105. FLEXO.8 fix	
---------------------	---	---------------------	---	---------------------	--	---------------------	---

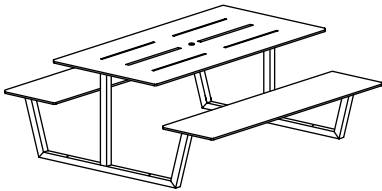
## extra & accessories

106. SYSTEM	108. ACCESSORIES	110. TROLLEY	144. FINITURE ACCIAIO FINISHING STEEL FINISSAGE ACIER
----------------	---------------------	-----------------	--

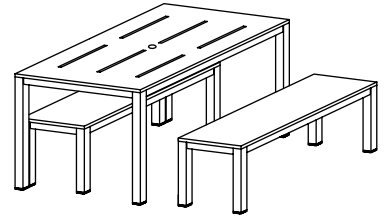
# TAVOLI. TABLES.

## tavoli con panche / tables with benches

114.  
MONDRIAN

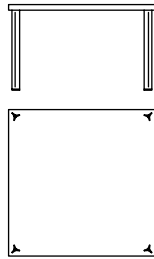


118.  
MATIAS

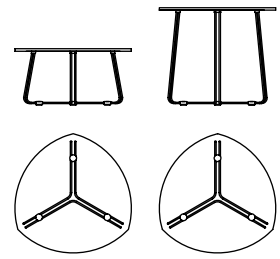


## fissi / fix table

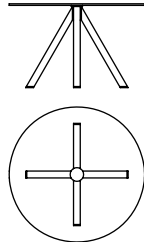
122.  
SUPERSTAR



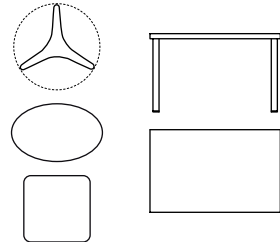
124.  
DOPPIOFILO



127.  
PRISMA

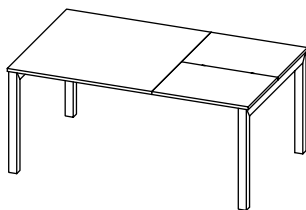


130.  
COOPERA TABLES

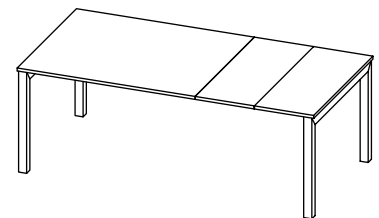


## allungabili / extendible

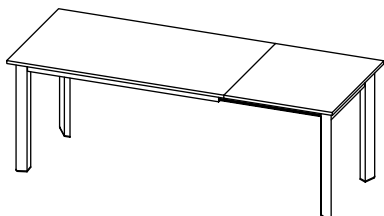
134.  
DINAMIC 1



137.  
DINAMIC 2



141.  
DIEDRO



144.  
FINITURE ACCIAIO  
FINISHING STEEL  
FINISSAGE ACIER



# BASI.TAVOLO

## TABLE.BASES



# ROUND FLAT.

MADE IN ITALY

Design Studio Corbetta Salvatore





CHAIRS. FIFTY

## ROUND FLAT.

### Dimensioni disponibili:

**Base:** mm Ø 440 - Ø 600  
**Colonna:** mm Ø 60 - Ø 80  
**Altezza:** mm 430 - 730 - 1070

### Available size:

**Base:** mm Ø 440 - Ø 600  
**Column:** mm Ø 60 - Ø 80  
**Height:** mm 430 - 730 - 1070

### Dimensions disponibles:

**Base:** mm Ø 440 - Ø 600  
**Colonne:** mm Ø 60 - Ø 80  
**Hauteur:** mm 430 - 730 - 1070

### Fissaggi

Piani legno: Piastra in acciaio  
 Piani vetro: Platorello Inox

### Fixing

Wooden tops: Steel plate  
 Glass tops: Stainless steel plate

### Fissages

Plateau bois: Plaque en acier  
 Plateau verre: Plaque en inox

### Dotazioni incluse

Regolabili  
 Blocco antirotazione  
 per la colonna.

### Equipment included

Adjustable feet  
 Column anti-rotation

### Équipement inclus

Réglables  
 Serrure anti-rotation  
 à la colonne

### Materiali & Finiture

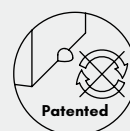
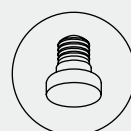
(Finiture pagina 144)  
 Acciaio: Cromo / Verniciato  
 Acciaio Inox: Satinato / Lucido

### Material & Finishing

(Finishing page 144)  
 Steel: Chrome plated / Painted  
 Stainless steel: Bright or Satin

### Material et Finissage

(Finissage page 144)  
 Acier: Chrome / Laqué  
 Acier Inox: Satiné / Brillant



STOOLS. CONO



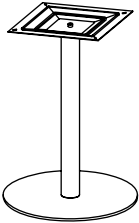
CHAIRS. CELINE





**WOOD**

<b>Fixing</b>	<b>BT.108.043L</b>	<b>BT.108.073L</b>	<b>BT.108.107L</b>	<b>BT.105.043L</b>	<b>BT.105.073L</b>	<b>BT.105.107L</b>
BASE	Ø 440	Ø 440	Ø 440	Ø 440	Ø 440	Ø 440
COLUMN	Ø 60	Ø 60	Ø 60	Ø 80	Ø 80	Ø 80
HEIGHT	430	730	1070	430	730	1070
TOP MAX	Ø 800 700x700	Ø 800 700x700	Ø 700 600x600	Ø 900 800x800	Ø 900 800x800	Ø 800 700x700

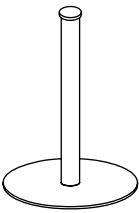


**WOOD**

<b>Fixing</b>	<b>BT.109.073L</b>	<b>BT.109.107L</b>
BASE	Ø 600	Ø 600
COLUMN	Ø 80	Ø 80
HEIGHT	730	1070
TOP MAX	Ø 1000 900x900	Ø 900 800x800

**GLASS**

<b>Fixing</b>	<b>BT.108.043V</b>	<b>BT.108.073V</b>	<b>BT.108.107V</b>	<b>BT.105.043V</b>	<b>BT.105.073V</b>	<b>BT.105.107V</b>
BASE	Ø 440	Ø 440	Ø 440	Ø 440	Ø 440	Ø 440
COLUMN	Ø 60	Ø 60	Ø 60	Ø 80	Ø 80	Ø 80
HEIGHT	430	730	1070	430	730	1070
TOP MAX	Ø 800 700x700	Ø 800 700x700	Ø 700 600x600	Ø 900 800x800	Ø 900 800x800	Ø 800 700x700



**GLASS**

<b>Fixing</b>	<b>BT.109.073V</b>	<b>BT.109.107V</b>
BASE	Ø 600	Ø 600
COLUMN	Ø 80	Ø 80
HEIGHT	730	1070
TOP MAX	Ø 1000 900x900	Ø 900 800x800

# HEAVY.

Design Studio Corbetta Salvatore

MADE IN ITALY







## HEAVY.

.collection

### Dimensioni disponibili:

**Base:** mm Ø 700

**Colonna:** mm Ø 80 - Ø 100

**Altezza:** mm 730

### Available size:

**Base:** mm Ø 700

**Column:** mm Ø 80 - Ø 100

**Height:** mm 730

### Dimensions disponibles:

**Base:** mm Ø 700

**Colonne:** mm Ø 80 - Ø 100

**Hauteur:** mm 730

### Fissaggi

Piani legno: Piastra in acciaio

Piani vetro: Platorello Inox

### Fixing

Wooden tops: Steel plate

Glass tops: Stainless steel plate

### Fissages

Plateau bois: Plaque en acier

Plateau verre: Plaque en inox

### Dotazioni incluse

Regolabili

Blocco antirotazione  
per la colonna.

### Equipment included

Adjustable feet

Column anti-rotation

### Équipement inclus

Réglables

Serrure anti-rotation  
à la colonne

### Materiali & Finiture

(Finiture pagina 144)

Acciaio: Cromo / Verniciato

Acciaio Inox: Satinato

### Material & Finishing

(Finishing page 144)

Steel: Chrome plated / Painted

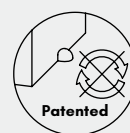
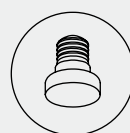
Stainless steel: Satin

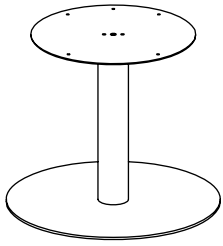
### Material et Finissage

(Finissage page 144)

Acier: Chrome / Laqué

Acier Inox: Satiné

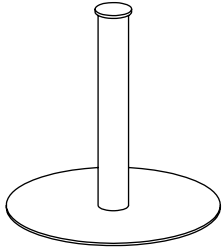




**WOOD Fixing** **BT.107.073L**

BASE	Ø 700
COLUMN	Ø 100
HEIGHT	730
TOP MAX	Ø 1300

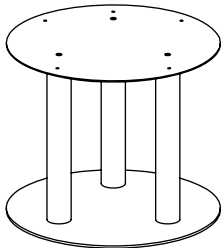
**HEAVY 1**



**GLASS Fixing** **BT.107.073V**

BASE	Ø 700
COLUMN	Ø 100
HEIGHT	730
TOP MAX	Ø 1100

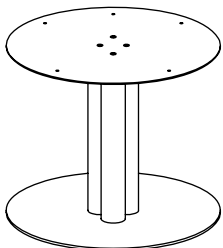
**HEAVY 1**



**WOOD Fixing** **BT.110.073L**

BASE	Ø 700
COLUMN	3 x Ø 80
HEIGHT	730
TOP MAX	Ø 2000

**HEAVY 3**



**WOOD Fixing** **BT.111.073L**

BASE	Ø 700
COLUMN	4 x Ø 80
HEIGHT	730
TOP MAX	Ø 1600

**HEAVY 4**

# SQUARE FLAT.

Design Studio Corbetta Salvatore

SQUARE COLUMN.

MADE IN ITALY





## SQUARE FLAT.

.collection

### Dimensioni disponibili:

**Base:** mm  
400x400 - 500x500 - 600x600  
400x600 - 400x800

**Colonna:** mm  
40x40 - 50x50 - 60x60 - 80x80

**Altezza:** mm 430 - 730 - 1070

### Available sizes:

**Base:** mm  
400x400 - 500x500 - 600x600  
400x600 - 400x800

**Column:** mm  
40x40 - 50x50 - 60x60 - 80x80

**Height:** mm 430 - 730 - 1070

### Dimensions disponibles:

**Base:** mm  
400x400 - 500x500 - 600x600  
400x600 - 400x800

**Colonne:** mm  
40x40 - 50x50 - 60x60 - 80x80

**Hauteur:** mm 430 - 730 - 1070

### Fissaggi

Piani legno: Piastra in acciaio  
Piani vetro: Platorello Inox

### Fixing

Wooden tops: Steel plate  
Glass tops: Stainless steel plate

### Fissages

Plateau bois: Plaque en acier  
Plateau verre: Plaque en inox

### Dotazioni incluse

Regolabili  
Blocco antirotazione  
per la colonna.

### Equipment included

Adjustable feet  
Column anti-rotation

### Équipement inclus

Réglables  
Serrure anti-rotation  
à la colonne

### Materiali & Finiture

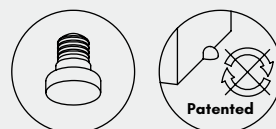
(Finiture pagina 144)  
Acciaio: Cromo / Verniciato  
Acciaio Inox: Satinato / Lucido

### Material & Finishing

(Finishes page 144)  
Steel: Chrome plated / Painted  
Stainless steel: Bright or Satin

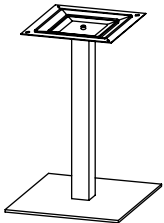
### Material et Finissage

(Finissage page 144)  
Acier: Chrome / Laqué  
Acier Inox: Satiné / Brillant



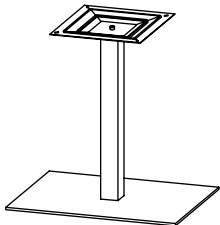
**WOOD  
Fixing**

	<b>BT.220.043L</b>	<b>BT.220.073L</b>	<b>BT.221.043L</b>	<b>BT.221.073L</b>	<b>BT.112.043L</b>	<b>BT.112.073L</b>
BASE	400x400	400x400	400x400	400x400	400x400	400x400
COLUMN	40x40	40x40	50x50	50x50	60x60	60x60
HEIGHT	430	730	430	730	430	730
TOP MAX	Ø 700 600x600	Ø 600 500x500	Ø 700 600x600	Ø 600 500x500	Ø 800 700x700	Ø 800 700x700



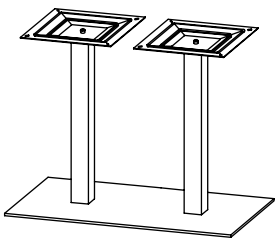
**WOOD  
Fixing**

	<b>BT.112.107L</b>	<b>BT.113.073L</b>	<b>BT.113.107L</b>	<b>BT.114.073L</b>	<b>BT.114.107L</b>	<b>BT.146.073L</b>
BASE	400x400	400x400	400x400	500x500	500x500	600x600
COLUMN	60x60	80x80	80x80	80x80	80x80	80x80
HEIGHT	1070	730	1070	730	1070	730
TOP MAX	Ø 700 600x600	Ø 800 900x900	Ø 700 800x800	Ø 900 1000x1000	Ø 700 800x800	Ø 1200 1100x1100



**WOOD  
Fixing**

	<b>BT.224.073L</b>	<b>BT.224.073L</b>	<b>BT.225.073L</b>	<b>BT.225.107L</b>
BASE	400x600	400x600	400x600	400x600
COLUMN	60x60	60x60	80x80	80x80
HEIGHT	730	1070	730	1070
TOP MAX	700x1000	600x900	800x1000	700x900



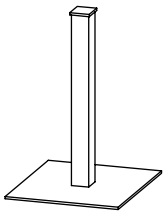
**WOOD  
Fixing**

	<b>BT.120.043L</b>	<b>BT.120.073L</b>	<b>BT.120.107L</b>	<b>BT.121.073L</b>	<b>BT.121.107L</b>
BASE	400x800	400x800	400x800	400x800	400x800
COLUMN	60x60	60x60	60x60	80x80	80x80
HEIGHT	430	730	1070	730	1070
TOP MAX	800x1600	800x1600	800x1200	900x1600	900x1200

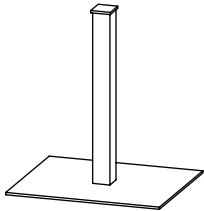


STOOLS. CUBICA

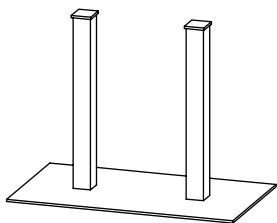




<b>GLASS Fixing</b>	<b>BT.112.043V</b>	<b>BT.112.073V</b>	<b>BT.112.107V</b>	<b>BT.113.073V</b>	<b>BT.113.107V</b>	<b>BT.114.073V</b>
BASE	400x400	400x400	400x400	400x400	400x400	500x500
COLUMN	60x60	60x60	60x60	80x80	80x80	80x80
HEIGHT	430	730	1070	730	1070	730
TOP MAX	Ø 800 700x700	Ø 800 700x700	Ø 700 600x600	Ø 900 800x800	Ø 800 700x700	Ø 1000 900x900



<b>GLASS Fixing</b>	<b>BT.225.073V</b>	<b>BT.225.107V</b>
BASE	400x600	400x600
COLUMN	80x80	80x80
HEIGHT	730	1070
TOP MAX	800x1000	800x900



<b>GLASS Fixing</b>	<b>BT.120.043V</b>	<b>BT.120.073V</b>	<b>BT.120.107V</b>	<b>BT.121.073V</b>	<b>BT.121.107V</b>
BASE	400x800	400x800	400x800	400x800	400x800
COLUMN	60x60	60x60	60x60	80x80	80x80
HEIGHT	430	730	1070	730	1070
TOP MAX	800x1200	800x1200	800x1100	800x1300	800x1200



# SQUARE FLAT.

Design Studio Corbetta Salvatore

ROUND COLUMN.

MADE IN ITALY



## SQUARE FLAT.

.collection

### Dimensioni disponibili:

**Base:** mm

400x400 - 500x500

600x600 - 400x800

**Colonna:** mm Ø 60 - Ø 80

**Altezza:** mm 430 - 730 - 1070

### Available sizes:

**Base:** mm

400x400 - 500x500

600x600 - 400x800

**Column:** mm Ø 60 - Ø 80

**Height:** mm 430 - 730 - 1070

### Dimensions disponibles:

**Base:** mm

400x400 - 500x500

600x600 - 400x800

**Colonne:** mm Ø 60 - Ø 80

**Hauteur:** mm 430 - 730 - 1070

### Fissaggi

Piani legno: Piastra in acciaio

Piani vetro: Platorello Inox

### Fixing

Wooden tops: Steel plate

Glass tops: Stainless steel plate

### Fissages

Plateau bois: Plaque en acier

Plateau verre: Plaque en inox

### Dotazioni incluse

Regolabili

Blocco antirotazione

per la colonna.

### Equipment included

Adjustable feet

Column anti-rotation

### Équipement inclus

Réglables

Serrure anti-rotation

à la colonne

### Materiali & Finiture

(Finiture pagina 144)

Acciaio: Cromo / Verniciato

Acciaio Inox: Satinato / Lucido

### Material & Finishing

(Finishes page 144)

Steel: Chrome plated / Painted

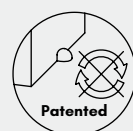
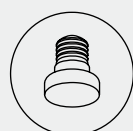
Stainless steel: Bright or Satin

### Material et Finissage

(Finissage page 144)

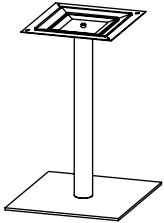
Acier: Chrome / Laqué

Acier Inox: Satiné / Brillant



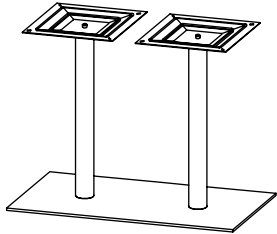
**WOOD**

Fixing	BT.118.043L	BT.118.073L	BT.118.107L	BT.125.073L	BT.125.107L
BASE	400x400	400x400	400x400	400x400	400x400
COLUMN	Ø 60	Ø 60	Ø 60	Ø 80	Ø 80
HEIGHT	430	730	1070	730	1070
TOP MAX	Ø 800 700x700	Ø 800 700x700	Ø 700 600x600	Ø 900 800x800	Ø 800 700x700



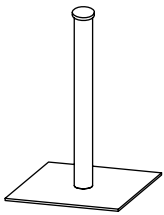
**WOOD**

Fixing	BT.126.073L	BT.126.107L	BT.148.073L
BASE	500x500	500x500	600x600
COLUMN	Ø 80	Ø 80	Ø 80
HEIGHT	730	1070	730
TOP MAX	Ø 1000 900x900	Ø 900 800x800	Ø 1100 1000x1000



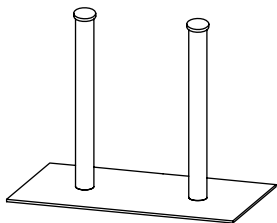
**WOOD**

Fixing	BT.124.043L	BT.124.073L	BT.124.107L	BT.127.730L	BT.127.107L
BASE	400x800	400x800	400x800	400x800	400x800
COLUMN	Ø 60	Ø 60	Ø 60	Ø 80	Ø 80
HEIGHT	430	730	1070	730	730
TOP MAX	800x1600	800x1600	800x1200	900x1600	900x1200



**GLASS**

Fixing	BT.118.043V	BT.118.073V	BT.118.107V	BT.125.073V	BT.125.107V
BASE	400x400	400x400	400x400	400x400	400x400
COLUMN	Ø 60	Ø 60	Ø 60	Ø 80	Ø 80
HEIGHT	430	730	1070	730	1070
TOP MAX	Ø 800 700x700	Ø 800 700x700	Ø 700 600x600	Ø 900 800x800	Ø 800 700x700



**GLASS**

Fixing	BT.124.043V	BT.124.073V	BT.124.107V
BASE	400x800	400x800	400x800
COLUMN	Ø 60	Ø 60	Ø 60
HEIGHT	430	730	1070
TOP MAX	800x1200	800x1200	700x1100

# TETRIS.

Design Studio Corbetta Salvatore

MADE IN ITALY







CHAIRS. CELINE

## TETRIS.

### Dimensioni disponibili:

**Base:** mm Ø 580 - Ø 700

**Colonna:** mm Ø 60 - Ø 80

**Altezza:** mm 430 - 730 - 1070

### Available size:

**Base:** mm Ø 580 - Ø 700

**Column:** mm Ø 60 - Ø 80

**Height:** mm 430 - 730 - 1070

### Dimensions disponibles:

**Base:** mm Ø 580 - Ø 700

**Colonne:** mm Ø 60 - Ø 80

**Hauteur:** mm 430 - 730 - 1070

### Fissaggi

Piani legno: Piastra in acciaio

Piani vetro: Platorello Inox

### Fixing

Wooden tops: Steel plate

Glass tops: Stainless steel plate

### Fissages

Plateau bois: Plaque en acier

Plateau verre: Plaque en inox

### Dotazioni incluse

Regolabili

Blocco antirotazione  
per la colonna.

### Equipment included

Adjustable feet

Column anti-rotation

### Équipement inclus

Réglables

Serrure anti-rotation  
à la colonne

## .collection

### Materiali & Finiture

(Finiture pagina 144)

Acciaio: Cromo / Verniciato

Acciaio Inox: Verniciato

### Material & Finishing

(Finishes page 144)

Steel: Chrome plated / Painted

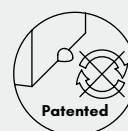
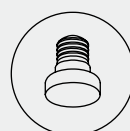
Stainless steel: Painted

### Material et Finissage

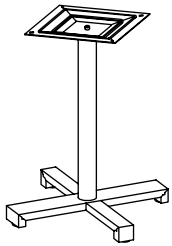
(Finissage page 144)

Acier: Chrome / Laqué

Acier Inox: Laqué



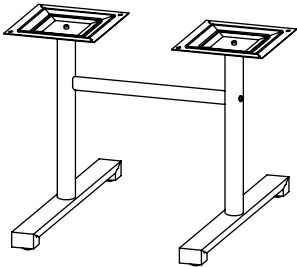
Patented



**WOOD**

**Fixing**

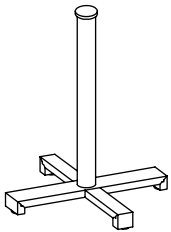
	<b>BT.193.043L</b>	<b>BT.193.073L</b>	<b>BT.193.107L</b>	<b>BT.194.073L</b>
BASE	Ø 580	Ø 580	Ø 580	Ø 700
COLUMN	Ø 60	Ø 60	Ø 60	Ø 80
HEIGHT	430	730	1070	730
TOP MAX	Ø 900 800x800	Ø 900 800x800	Ø 800 700x700	Ø 1000 900x900



**WOOD**

**Fixing**

	<b>BT.195.073.L070</b>	<b>BT.195.073.L100</b>	<b>BT.195.073.L120</b>
BASE	580X820	580X1070	580X1270
COLUMN	Ø 60	Ø 60	Ø 60
CROSS BAR	705	1000	1200
HEIGHT	730	730	730
TOP MAX	900x1400	900x1600	900x1800



**GLASS**

**Fixing**

	<b>BT.193.043V</b>	<b>BT.193.073V</b>	<b>BT.193.107V</b>
BASE	Ø 580	Ø 580	Ø 580
COLUMN	Ø 60	Ø 60	Ø 60
HEIGHT	430	730	1070
TOP MAX	Ø 800 700x700	Ø 800 700x700	Ø 700 600x600



# PETAL.

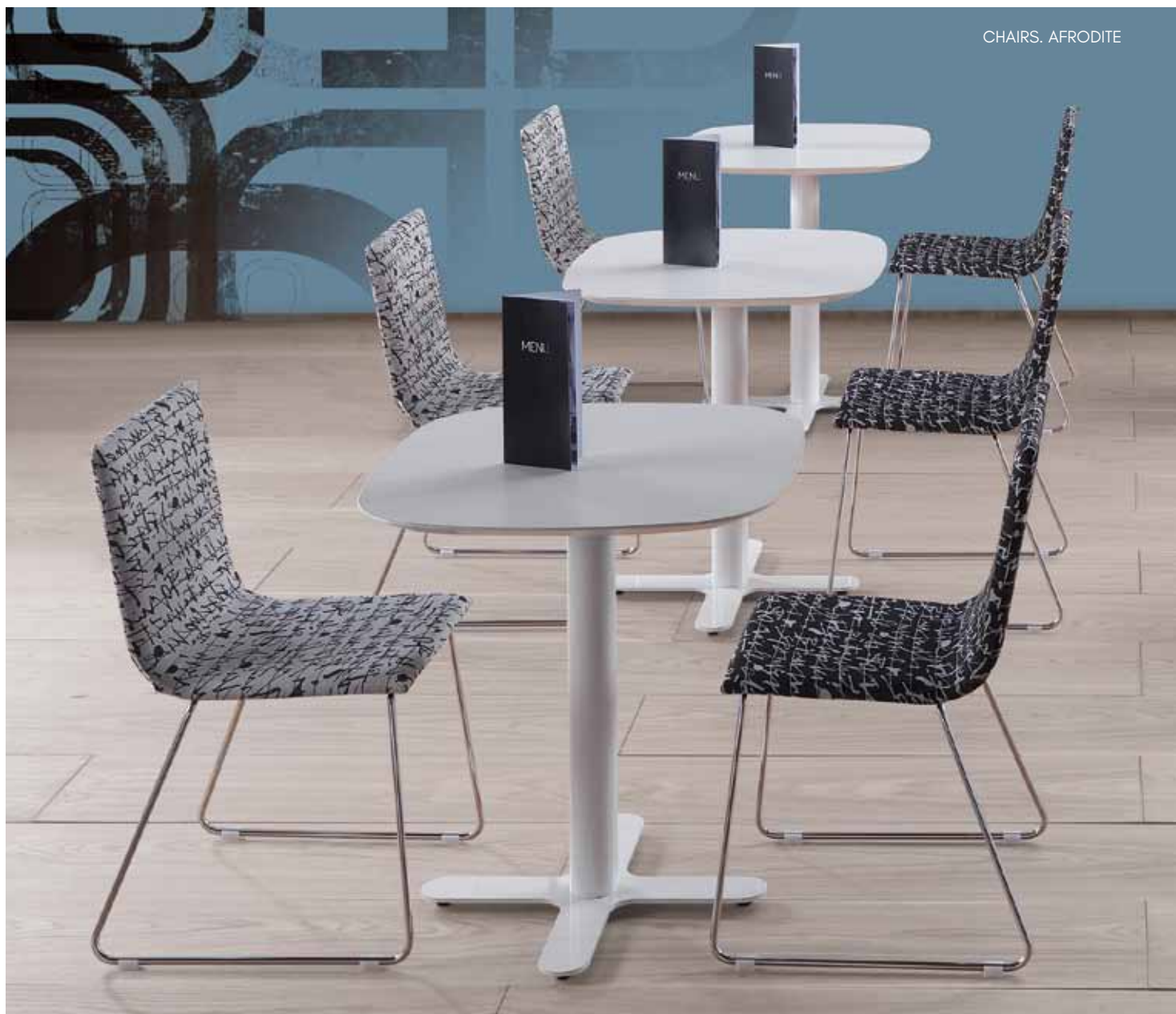
Design Studio Corbetta Salvatore

MADE IN ITALY









## PETAL.

.collection

### Dimensioni disponibili:

**Base:** mm Ø 580

**Colonna:** mm Ø 60

**Altezza:** mm 430 - 730 - 1070

### Available size:

**Base:** mm Ø 580

**Column:** mm Ø 60

**Height:** mm 430 - 730 - 1070

### Dimensions disponibles:

**Base:** mm Ø 580

**Colonne:** mm Ø 60

**Hauteur:** mm 430 - 730 - 1070

### Fissaggi

Piani legno: Piastra in acciaio

Piani vetro: Platorello Inox

### Fixing

Wooden tops: Steel plate

Glass tops: Stainless steel plate

### Fissages

Plateau bois: Plaque en acier

Plateau verre: Plaque en inox

### Dotazioni incluse

Regolabili

Blocco antirotazione

per la colonna.

### Equipment included

Adjustable feet

Column anti-rotation

### Equipements inclus

Réglables

Serrure anti-rotation

à la colonne

### Materiali & Finiture

(Finiture pagina 144)

Acciaio: Cromo / Verniciato

### Material & Finishing

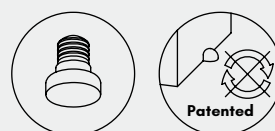
(Finishes page 144)

Steel: Chrome plated / Painted

### Material et Finissage

(Finissage page 144)

Acier: Chrome / Laqué

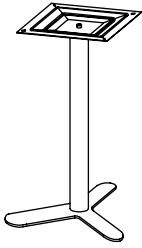


CHAIRS. STRIPES

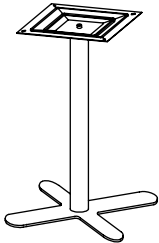


CHAIRS. MARTE

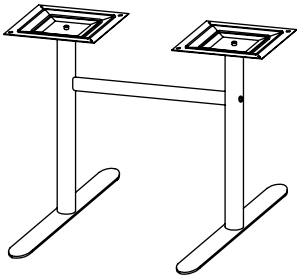




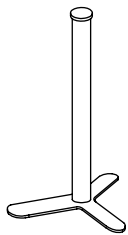
<b>WOOD Fixing</b>	<b>BT.186.043L</b>	<b>BT.186.073L</b>	<b>BT.186.107L</b>
BASE	Ø 580	Ø 580	Ø 580
COLUMN	Ø 60	Ø 60	Ø 60
HEIGHT	430	730	1070
TOP MAX	Ø 800 700x700	Ø 800 700x700	Ø 700 600x600



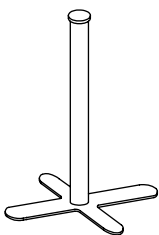
<b>WOOD Fixing</b>	<b>BT.185.043L</b>	<b>BT.185.073L</b>	<b>BT.185.107L</b>
BASE	Ø 580	Ø 580	Ø 580
COLUMN	Ø 60	Ø 60	Ø 60
HEIGHT	430	730	1070
TOP MAX	Ø 900 800x800	Ø 900 800x800	Ø 800 700x700



<b>WOOD Fixing</b>	<b>BT.189.073.L070</b>	<b>BT.189.073.L100</b>	<b>BT.189.073.L120</b>
BASE	580x850	580x1150	580x1350
COLUMN	Ø 60	Ø 60	Ø 60
CROSS BAR	705	1000	1200
HEIGHT	730	730	730
TOP MAX	800x1400	800x1600	800x1800



<b>GLASS Fixing</b>	<b>BT.186.043V</b>	<b>BT.186.073V</b>	<b>BT.186.107V</b>
BASE	Ø 580	Ø 580	Ø 580
COLUMN	Ø 60	Ø 60	Ø 60
HEIGHT	430	730	1070
TOP MAX	Ø 700 600x600	Ø 700 600x600	Ø 600 500x500



<b>GLASS Fixing</b>	<b>BT.185.043V</b>	<b>BT.185.073V</b>	<b>BT.185.107V</b>
BASE	Ø 580	Ø 580	Ø 580
COLUMN	Ø 60	Ø 60	Ø 60
HEIGHT	430	730	1070
TOP MAX	Ø 800 700x700	Ø 800 700x700	Ø 700 600x600



# PETAL Big.

Design Studio Corbetta Salvatore

MADE IN ITALY





## PETAL Big.

### Dimensioni disponibili:

**Base:** mm Ø 700

**Colonna:** mm Ø 80 - Ø 100

**Altezza:** mm 730

### Available size:

**Base:** mm Ø 700

**Column:** mm Ø 80 - Ø 100

**Height:** mm 730

### Dimensions disponibles:

**Base:** mm Ø 700

**Colonne:** mm Ø 80 - Ø 100

**Hauteur:** mm 730

### Fissaggi

Piani legno: Piastra in acciaio

### Fixing

Wooden tops: Steel plate

### Fissages

Plateau bois: Plaque en acier

### Dotazioni incluse

Regolabili  
Blocco antirotazione  
per la colonna.

### Equipment included

Adjustable feet  
Column anti-rotation

### Équipement inclus

Réglables  
Serrure anti-rotation  
à la colonne

### Materiali & Finiture

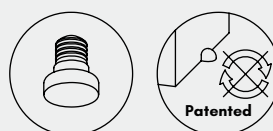
(Finiture pagina 144)  
Acciaio: Cromo / Verniciato

### Material & Finishing

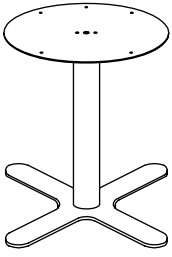
(Finishes page 144)  
Steel: Chrome / Painted

### Material et Finissage

(Finissage page 144)  
Acier: Chrome / Laqué

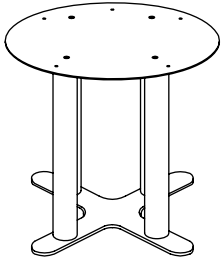


# PETAL Big.



<b>WOOD Fixing</b>	<b>BT.230.073L</b>
BASE	Ø 700
COLUMN	Ø 100
HEIGHT	730
TOP MAX	Ø 1200

PETAL BIG 1



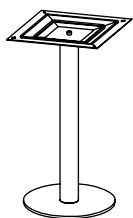
<b>WOOD Fixing</b>	<b>BT.234.073L</b>
BASE	Ø 700
COLUMN	4 x Ø 80
HEIGHT	730
TOP MAX	Ø 2000

PETAL BIG 4

# FLOOR FLAT.

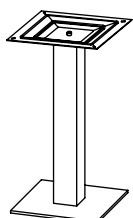
MADE IN ITALY

Design Studio Corbetta Salvatore



**WOOD**  
**Fixing**

	<b>BT.128.073L</b>	<b>BT.128.107L</b>
BASE	Ø 300	Ø 300
COLUMN	Ø 60	Ø 60
HEIGHT	730	1070
TOP MAX	Ø 90 80x80	Ø 80 70x70



**WOOD**  
**Fixing**

	<b>BT.129.073L</b>	<b>BT.129.107L</b>
BASE	300x300	300x300
COLUMN	80x80	80x80
HEIGHT	730	1070
TOP MAX	Ø 90 80x80	Ø 80 70x70





## FLOOR FLAT.

.collection

### Dimensioni disponibili:

**Base:** mm Ø 300 - 300x300  
**Colonna:** mm Ø 60 - 80x80 mm  
**Altezza:** mm 730 - 1070

### Available size:

**Base:** mm Ø 300 - 300x300  
**Column:** mm Ø 60 - 80x80 mm  
**Height:** mm 730 - 1070

### Dimensions disponibles:

**Base:** mm Ø 300 - 300x300  
**Colonne:** mm Ø 60 - 80x80 mm  
**Hauteur:** mm 730 - 1070

### Fissaggi

Piani legno: Piastra in acciaio

### Fixing

Wooden tops: Steel plate

### Fissages

Plateau bois: Plaque en acier

### Dotazioni incluse

Blocco antirotazione per la colonna.

### Dotazioni non incluse

Viti e tasselli per il fissaggio a terra

### Equipment included

Column rotation block

### Non included equipment

Screws and plugs for fixing to the floor

### Équipement inclus

Serrure anti-rotation à la colonne

### Équipements non inclus

Vis et chevilles

### Materiali & Finiture

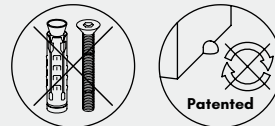
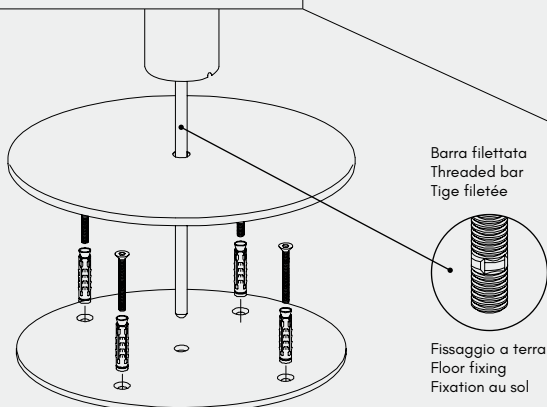
(Finiture pagina 144)  
 Acciaio: Cromo / Verniciato  
 Acciaio Inox: Satinato / Lucido

### Material & Finishing

(Finishes page 144)  
 Steel: Chrome plated / Painted  
 Stainless steel: Bright or Satin

### Material et Finissage

(Finissage page 144)  
 Acier: Chrome / Laqué  
 Acier Inox: Satiné / Brillant

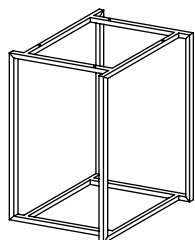


Vite testa piana svasata.  
 Cava esagonale. Filetto 8MA.  
**Viti e tasselli non inclusi!**

Flat head screw 8M. Hexagon socket.  
**Screws and plugs not included!**

Vis à tête plate 8MA. Six pans creux.  
**Vis et chevilles non inclus!**





**WOOD**  
**Fixing**

	<b>BT.198.043L</b>	<b>BT.198.073L</b>	<b>BT.198.107L</b>
BASE	510x510	510x510	510x510
TUBE	25x25	25x25	25x25
HEIGHT	430	730	1070
TOP MAX	1000x1000	1000x1000	800x800



**RUBIK.**

**.collection**

**Dimensioni disponibili:**

**Base:** mm 510x510

**Tubo:** mm 25x25

**Altezza:** mm 430 - 730 - 1070

**Available sizes:**

**Base:** mm 510x510

**Tube:** mm 25x25

**Height:** mm 430 - 730 - 1070

**Dimensions- disponibles:**

**Base:** mm 510x510

**Tube:** mm 25x25

**Hauteur:** mm 430 - 730 - 1070

**Fissaggi**

Piani legno

**Fixing**

Wooden tops

**Fissages**

Plateau bois

**Dotazioni incluse**

Puntali fissi

**Equipment included**

Fix plugs

**Equipement inclus**

Patine fix

**Materiali & Finiture**

(Finiture pagina 144)

Acciaio: Verniciato

**Material & Finishing**

(Finishes page 144)

Steel: Painted

**Material et Finissage**

(Finissage page 144)

Acier: Laqué



# POWER.

Design Studio Corbetta Salvatore

MADE IN ITALY





STOOLS. CELINE

good days  
start with  
coffee



## POWER.

### Dimensioni disponibili:

**Base:** mm Ø 700  
**Colonna:** mm Ø 140  
**Altezza:** mm 730

### Available sizes:

**Base:** mm Ø 700  
**Column:** mm Ø 140  
**Height:** mm 730

### Dimensions disponibles:

**Base:** mm Ø 700  
**Colonne:** mm Ø 140  
**Hauteur:** mm 730

### Fissaggi

Piani legno

### Fixing

Wooden tops

### Fissages

Plateau bois

### Dotazioni incluse

Regolabili

### Dotazioni non incluse

Sistemi elettrici, prese corrente, cablaggi vari, piano tavolo

### Equipment included

Leveller

### Non included equipment

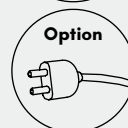
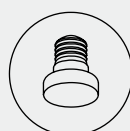
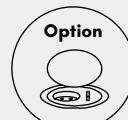
Electrical systems, power outlets, table top

### Équipement inclus

Réglables

### Équipement non inclus

électriques, prises de courant, divers câblage et plateau +de table.



## .collection

### Materiali & Finiture

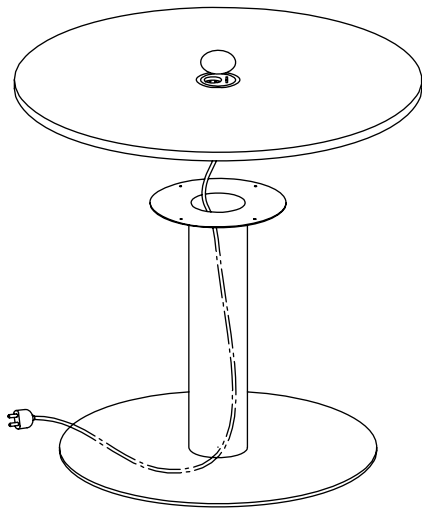
(Finiture pagina 144)  
Acciaio: Verniciato

### Material & Finishing

(Finishes page 144)  
Steel: Painted

### Material et Finissage

(Finissage page 144)  
Acier: Laqué



**\*\* ATTENZIONE! ATTENTION! ATTENTION! \*\***

**Solo la base tavolo. Eclusi sistemi elettrici, prese corrente, cablaggi vari e piano tavolo.  
Only table base. Electrical systems, power outlets and table top not included.  
Pied seul. Systèmes électriques, prises de courant, divers câblage et plateau de table  
non inclus.**

**WOOD**

**Fixing**

**BT.270.073L**

BASE Ø 700

COLUMN Ø 140

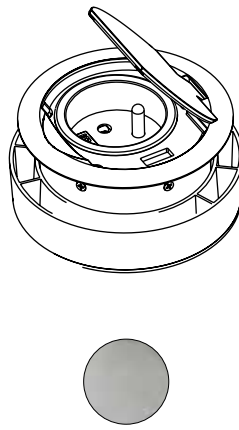
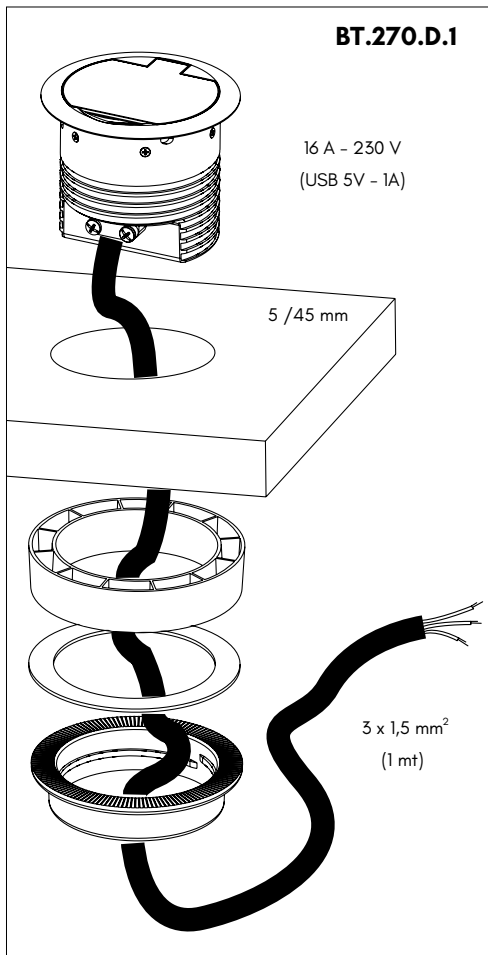
HEIGHT 730

TOP MAX Ø 1300



## POWER. DEVICE 1

**.usb + schuko**



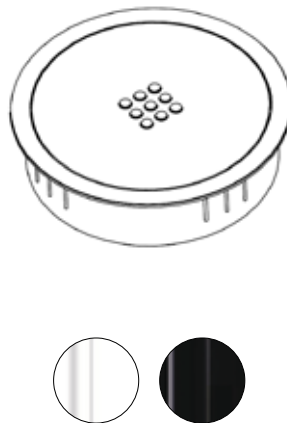
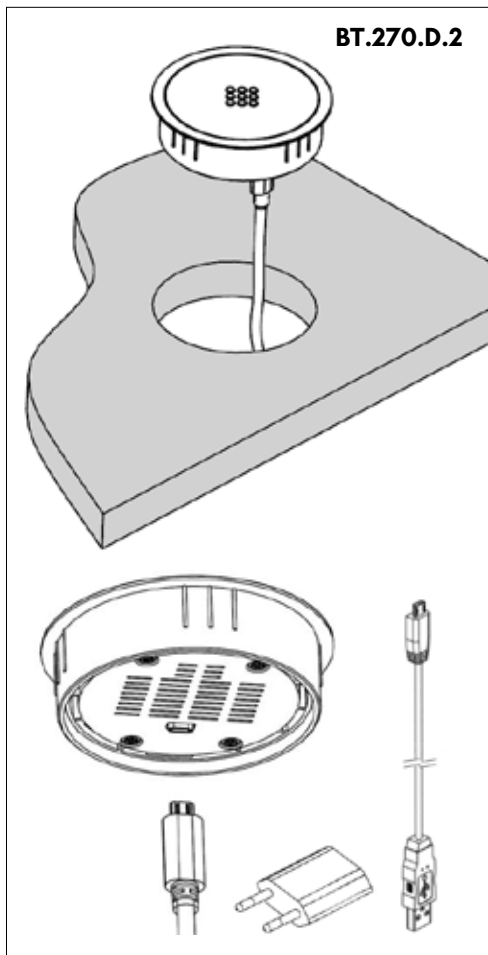
Soluzione per la ricarica di computer e smartphone tramite la prese presenti nel blocco: USB e Schuko. Il sistema è dotato di sportello di chiusura con sistema soft-closing. Finitura disponibile: Satinato

Solutions for computer and smartphones charging via USB and Schuko power outlets. The item is equipped with soft-closing door system. Available finishing: Satin.



## POWER. DEVICE 2

**.wireless**

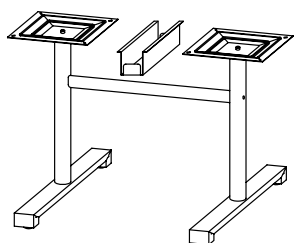


Soluzione per la ricarica di una vasta gamma di smartphone eliminando il fastidioso ingombro dei fili. Per ricaricare lo smartphone posizionarlo sulla base di ricarica senza la necessità di collegare nessun cavo. L'inizio della ricarica viene segnalato da un suono acustico e lo status indicato da una spia LED blu per tutta la durata della ricarica. Colori disponibili: Bianco e Nero

The wireless charger represents the perfect solution to charge a wide range of smartphones without wires. It is sufficient to place the smartphone on the charger pad to charge it, no cables connection needed.

An audible sound alerts the beginning of charging period and a blue LED light indicates the status for the entire charging time. Available colors: White & Black.





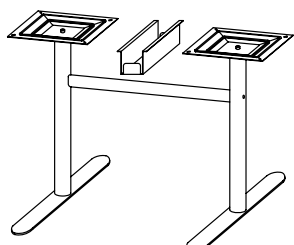
TOAST - PETAL

**WOOD  
Fixing**

	BT.216.5969L	BT.216.6969L
BASE	1270x690*	1470x690*
COLUMN	Ø 60	Ø 60
HEIGHT	730	730
TOP SIZE	N°2 - 590x690	N°2 - 690x690

**\*ATTENZIONE - ATTENTION**  
 Dimensione con piani montati  
 Dimension with top assembled  
 Dimension avec plateaux monte

**PIANI NON INCLUSI!  
 TOPS NOT INCLUDED!  
 PLATEAUX PAS INCLUS!**



TOAST - TETRIS

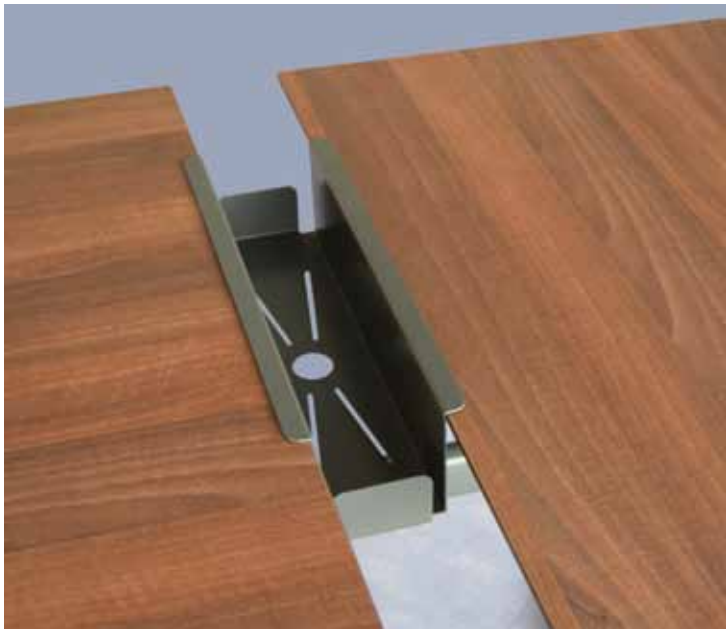
**WOOD  
Fixing**

	BT.217.5969L	BT.217.6969L
BASE	1270x690*	1470x690*
COLUMN	Ø 60	Ø 60
HEIGHT	730	730
TOP SIZE	N°2 - 590x690	N°2 - 690x690

**\*ATTENZIONE - ATTENTION**  
 Dimensione con piani montati  
 Dimension with top assembled  
 Dimension avec plateaux monte

**PIANI NON INCLUSI!  
 TOPS NOT INCLUDED!  
 PLATEAUX PAS INCLUS!**





## TOAST.

.collection

### Dimensioni disponibili:

Solo per piani 59x69 - 69x69 cm

### Available sizes:

Only for tops 59x69 - 69x69 cm

### Dimensions disponibles:

Seulement pour le plateau:  
59x69 - 69x69 cm

### Fissaggi

Piani legno: Piastra in acciaio

### Fixing

Wooden tops: Steel plate

### Fissages

Plateau bois: Plaque en acier

### Dotazioni incluse

Portabottiglie in acciaio.  
Regolabili.  
Blocco antirotazione  
per la colonna.

### Equipment included

Steel bottles support.  
Adjustable feet.  
Anti-rotation block.

### Équipement inclus

Porte-bouteilles en acier.  
Réglables.  
Serrure anti-rotation  
à la colonne.

### Materiali & Finiture

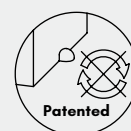
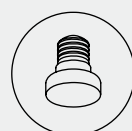
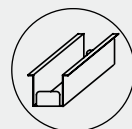
(Finiture pagina 144)  
Acciaio: Verniciato

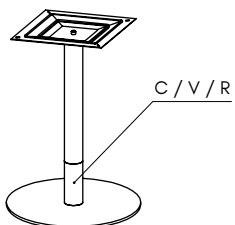
### Material & Finishing

(Finishes page 144)  
Steel: Painted

### Material et Finissage

(Finissage page 144)  
Acier: Laqué





WOOD Fixing	C - CHROME		V - PAINTED		R - GOLD	
	BT.240.073L.C	BT.240.107L.C	BT.240.073L.V	BT.240.073L.V	BT.240.073L.R	BT.240.073L.R
BASE	Ø 440	Ø 440	Ø 440	Ø 440	Ø 440	Ø 440
COLUMN	Ø 60	Ø 60	Ø 60	Ø 60	Ø 60	Ø 60
HEIGHT	730	1070	730	1070	730	1070
TOP MAX	Ø 900 800x800	Ø 800 700x700	Ø 900 800x800	Ø 800 700x700	Ø 900 800x800	Ø 800 700x700



CHAIRS. MILENA

## DUPLEX.

.collection

### Dimensioni disponibili:

**Base:** mm Ø 440

**Tubo:** mm Ø 60

**Altezza:** mm 730 - 1070

### Available sizes:

**Base:** mm Ø 440

**Tube:** mm Ø 60

**Height:** mm 730 - 1070

### Dimensions disponibles:

**Base:** mm Ø 440

**Tube:** mm Ø 60

**Hauteur:** mm 730 - 1070

### Fissaggi

Piani legno: Piastra in acciaio

### Fixing

Wooden tops: Steel plate

### Fissages

Plateau bois: Plaque en acier

### Dotazioni incluse

Regolabili

Blocco antirotazione  
per la colonna.

### Equipment included

Adjustables feet

Anti-rotation block

### Équipement inclus

Réglables

Serrure anti-rotation  
à la colonne

### Materiali & Finiture

(Finiture pagina 144)

Acciaio: Cromo / Verniciato

Acciaio Inox: Satinato / Lucido

### Collarino acciaio:

Cromo / Verniciato / Ottonato

### Material & Finishing

(Finishes page 144)

Steel: Chrome plated / Painted

Stainless steel: Bright or Satin

### Steel ring:

Chrome / Painted / Brass

### Material et Finissage

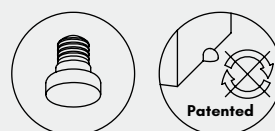
(Finissage page 144)

Acier: Chrome / Laqué

Acier Inox: Satiné / Brillant

### Collerette en acier:

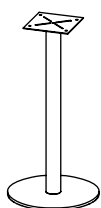
Chrome / Laqué / Or



# MINI FLAT.

MADE IN ITALY

Design Studio Corbetta Salvatore



## WOOD Fixing

	BT.259.043L	BT.259.073L
BASE	Ø 300	Ø 300
COLUMN	Ø 50	Ø 50
HEIGHT	430	730
TOP MAX	Ø 50	Ø 50
	40x40	40x40



## MINI FLAT.

.collection

### Dimensioni disponibili:

**Base:** mm Ø 300

**Colonna:** mm Ø 50

**Altezza:** mm 430 - 730

### Available size:

**Base:** mm Ø 300

**Column:** mm Ø 50

**Height:** mm 430 - 730

### Dimensions disponibles:

**Base:** mm Ø 300

**Colonne:** mm Ø 50

**Hauteur:** mm 430 - 730

### Fissaggi

Piani legno: Piastra in acciaio

### Fixing

Wooden tops: Steel plate

### Fissages

Plateau bois: Plaque en acier

### Dotazioni incluse

Puntali fissi

### Equipment included

Fix plugs

### Équipement inclus

Patine fix

### Materiali & Finiture

(Finiture pagina 144)

Acciaio:

Cromo / Verniciato / Ottonato

### Material & Finishing

(Finishes page 144)

Steel: Painted

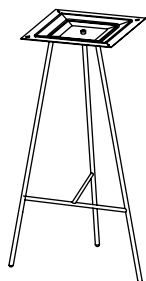
Chrome plated / Brass plated

### Material et Finissage

(Finissage page 144)

Acier: Chrome / Laqué / Or





**WOOD**  
**Fixing**

**BT.257.100L**

BASE Ø 600

TUBE Ø 16

HEIGHT 1000

TOP MAX Ø 600



**KORA.**

**Dimensioni disponibili:**

**Base:** mm Ø 600  
**Tubo:** mm Ø 16  
**Altezza:** mm 1000

**Available sizes:**

**Base:** mm Ø 600  
**Tube:** mm Ø 16  
**Height:** mm 1000

**Dimensions disponibles:**

**Base:** mm Ø 440  
**Tube:** mm Ø 16  
**Hauteur:** mm 1000

**Fissaggi**

Piani legno: Piastra in acciaio

**Fixing**

Wooden tops: Steel plate

**Fissages**

Plateau bois: Plaque en acier

**Dotazioni incluse**

Puntali fissi

**Equipment included**

Fix tips

**Équipement inclus**

Patine fix



**.collection**

**Materiali & Finiture**

(Finiture pagina 144)  
 Acciaio: Cromo / Verniciato

**Material & Finishing**

(Finishes page 144)  
 Steel: Chrome plated / Painted

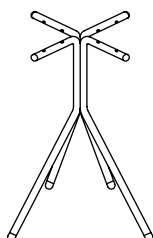
**Material et Finissage**

(Finissage page 144)  
 Acier: Chrome / Laqué

# PINKO Big.

Design Studio Corbetta Salvatore

MADE IN ITALY



## WOOD Fixing

	BT.255.073L	BT.255.107L
BASE	Ø 600	Ø 600
TUBE	Ø 25	Ø 25
HEIGHT	730	1070
TOP MAX	Ø 900 800x800	Ø 800 700x700





## PINKO Big.

### Dimensioni disponibili:

**Base:** mm Ø 600

**Tubo:** mm Ø 25

**Altezza:** mm 730 - 1070

### Available sizes:

**Base:** mm Ø 600

**Tube:** mm Ø 25

**Height:** mm 730 - 1070

### Dimensions disponibles:

**Base:** mm Ø 600

**Tube:** mm Ø 25

**Hauteur:** mm 730 - 1070

### Fissaggi

Piani legno

### Fixing

Wooden tops

### Fissages

Plateau bois

### Dotazioni incluse

Regolabili

### Equipment included

Adjustable feet

### Équipement inclus

Réglables

## .collection

### Materiali & Finiture

(Finiture pagina 144)

Acciaio: Cromo / Verniciato

### Material & Finishing

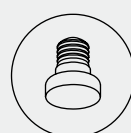
(Finishes page 144)

Steel: Chrome plated / Painted

### Material et Finissage

(Finissage page 144)

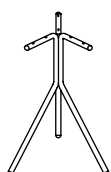
Acier: Chrome / Laqué



# PINKO Mini.

MADE IN ITALY

Design Studio Corbetta Salvatore



**WOOD**  
**Fixing**

**BT.250.043L**

BASE Ø 350

TUBE Ø 16

HEIGHT 430

TOP MAX Ø 400



## PINKO Mini.

### Dimensioni disponibili:

**Base:** mm Ø 350

**Tubo:** mm Ø 16

**Altezza:** mm 430

### Available sizes:

**Base:** mm Ø 350

**Tube:** mm Ø 16

**Height:** mm 430

### Dimensions disponibles:

**Base:** mm Ø 350

**Tube:** mm Ø 16

**Hauteur:** mm 430

### Fissaggi

Piani legno

### Fixing

Wooden tops

### Fissages

Plateau bois

### Dotazioni incluse

Puntali fissi

### Equipment included

Fix tips

### Equipement inclus

Patine fix

.collection

### Materiali & Finiture

(Finiture pagina 144)

Acciaio: Cromo / Verniciato

### Material & Finishing

(Finishes page 144)

Steel: Chrome plated / Painted

### Material et Finissage

(Finissage page 144)

Acier: Chrome / Laqué



**CONO.**

Design Renzo & Graziella Fauciglietti

MADE IN ITALY





CHAIRS. AFRODITE

**CONO.**

**.collection**

**Dimensioni disponibili:**

**Base:** mm Ø 440 - 400x800

**Colonna:** Conica

**Altezza:** mm 730 - 1070

**Available sizes:**

**Base:** mm Ø 440 - 400x800

**Column:** Cone

**Height:** mm 730 - 1070

**Dimensions disponibles:**

**Base:** mm Ø 440 - 400x800

**Colonne:** Conic

**Hauteur:** mm 730 - 1070

**Fissaggi**

Piani legno: Piastra in acciaio

**Fixing**

Wooden tops: Steel plate

**Fissages**

Plateau bois: Plaque en acier

**Dotazioni incluse**

Regolabili

**Equipment included**

Adjustable feet

**Équipement inclus**

Réglables

**Materiali & Finiture**

(Finiture pagina 144)

Base in acciaio:

Cromo / Verniciato / Satinato

Cono in acciaio:

Verniciato / Satinato

**Material & Finishing**

(Finishes page 144)

Steel base:

Chrome plated / Painted / Satin

Steel cone: Painted / Satin

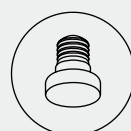
**Material et Finissage**

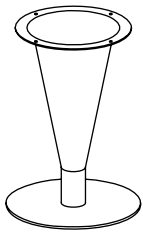
(Finissage page 144)

Base en acier:

Chrome / Laqué / Satiné

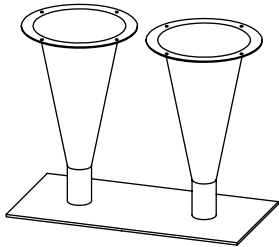
Cone en acier: Laqué / Satiné





**WOOD**  
**Fixing**

	BT.520.073L	BT.520.107L
BASE	Ø 440	Ø 440
COLUMN	Cone	Cone
HEIGHT	730	1070
TOP MAX	Ø 900	Ø 800



**WOOD**  
**Fixing**

	BT.521.073L	BT.521.107L
BASE	400x800	400x800
COLUMN	Cone	Cone
HEIGHT	730	1070
TOP MAX	800x1400	800x1200

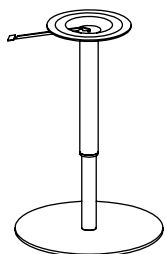
STOOLS. CONO



## Gas system



**Con gas / With gas / Avec gaz**



**WOOD  
Fixing**

	BT.130.048L	BT.130.073L
BASE	Ø 470	Ø 470
COLUMN	Ø 80	Ø 80
HEIGHT	480 ÷ 730	730 ÷ 1090
TOP MAX	Ø 800	Ø 800

# UP & DOWN.

Mechanical system

MADE IN ITALY







**Dimensioni disponibili:**

**Base:** mm Ø 440 - 400x400  
400x800 - Ø 580 (Petal 3/4)

**Colonna:** Ø 60

**Altezza:** mm 730 ÷ 1090

**Available sizes:**

**Base:** mm Ø 440 - 400x400  
400x800 - Ø 580 (Petal 3/4)

**Column:** Ø 60

**Height:** mm 730 ÷ 1090

**Dimensions disponibles:**

**Base:** mm Ø 440 - 400x400  
400x800 - Ø 580 (Petal 3/4)

**Colonne:** Ø 60

**Hauteur:** mm 730 ÷ 1090

**Fissaggi**

Piani legno: Piastra in acciaio  
Piani vetro: Platorello Inox

**Fixing**

Wooden tops: Steel plate  
Glass tops: Stainless steel plate

**Fissages**

Plateau bois: Plaque en acier  
Plateau verre: Plaque en inox

**Dotazioni incluse**

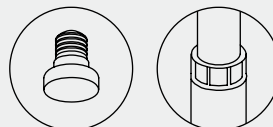
Regolabili  
Sistema di bloccaggio  
della colonna

**Equipment included**

Adjustable feet  
Column locking System

**Equipement inclus**

Réglables  
Système de blocage de  
la colonne



**Materiali & Finiture**

(Finiture pagina 144)  
Acciaio: Cromo

**Material & Finishes**

(Finishes page 144)  
Base: Chrome plated

**Material et Finissage**

(Finissage page 144)  
Acier: Chrome

Girare il fermo per sbloccare la  
colonna

Turn the block to unlock the column

Tournez le loquet pour déverrouiller  
la colonne

Spingere verso l'alto il piano e regolarlo in  
altezza. Disponibili 15 scatti di regolazione.

Pull up the top and adjust its height.  
15 position available.

Relevez le plan et ajuster sa hauteur.  
Ya 15 crans de réglage.

Una volta raggiunta l'altezza desiderata  
riavvitare il fermo per bloccare la regola-  
zione.

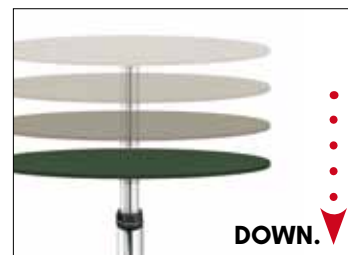
Once you reach the desired height turn the  
block to lock it.

Une fois que vous atteignez la hauteur  
désirée visser le loquet pour verrouiller le  
réglage.

Per riportare il piano all'altezza minima è  
necessario alzarlo fino al massimo dell'al-  
tezza. In questo modo la colonna si sbloc-  
cherà e scenderà lentamente fino al livello  
più basso.

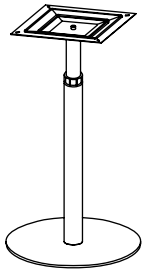
To return the top to the minimum height  
you need to lift it up to the maximum po-  
sition. The column will be unlocked and  
slowly returns at the lowest level.

Pour ramener le plateau à la hauteur ini-  
tiale, vous devez le soulever à la hauteur  
maximale pour déverrouiller la colonne et  
le laisser redescendre jusqu'au niveau le  
plus bas.

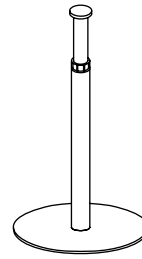


# UP & DOWN.

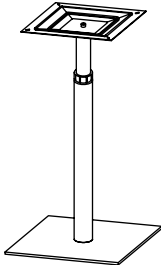
.datasheet



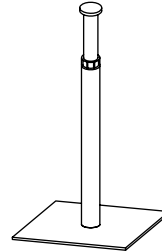
<b>WOOD Fixing</b>	<b>BT.142.073L</b>
BASE	Ø 440
COLUMN	Ø 60
HEIGHT	730 ÷ 1090
TOP MAX	Ø 800 700x700



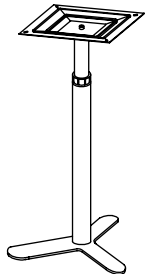
<b>GLASS Fixing</b>	<b>BT.142.073V</b>
BASE	Ø 440
COLUMN	Ø 60
HEIGHT	730 ÷ 1090
TOP MAX	Ø 700 600x600



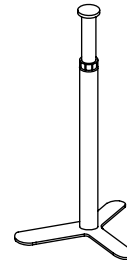
<b>WOOD Fixing</b>	<b>BT.140.073L</b>
BASE	400x400
COLUMN	Ø 60
HEIGHT	730 ÷ 1090
TOP MAX	Ø 800 700x700



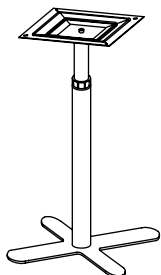
<b>GLASS Fixing</b>	<b>BT.140.073V</b>
BASE	400x400
COLUMN	Ø 60
HEIGHT	730 ÷ 1090
TOP MAX	Ø 700 600x600



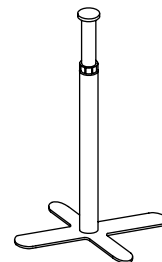
<b>WOOD Fixing</b>	<b>BT.144.073L</b>
BASE	Ø 580
COLUMN	Ø 60
HEIGHT	730 ÷ 1090
TOP MAX	Ø 700 600x600



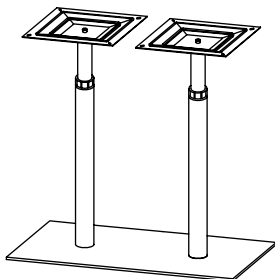
<b>GLASS Fixing</b>	<b>BT.144.073V</b>
BASE	Ø 580
COLUMN	Ø 60
HEIGHT	730 ÷ 1090
TOP MAX	Ø 700 600x600



<b>WOOD Fixing</b>	<b>BT.145.073L</b>
BASE	Ø 580
COLUMN	Ø 60
HEIGHT	730 ÷ 1090
TOP MAX	Ø 800 700x700



<b>GLASS Fixing</b>	<b>BT.145.073V</b>
BASE	Ø 580
COLUMN	Ø 60
HEIGHT	730 ÷ 1090
TOP MAX	Ø 700 600x600



<b>WOOD Fixing</b>	<b>BT.139.073L</b>
BASE	400x800
COLUMN	Ø 60
HEIGHT	730 ÷ 1090
TOP MAX	800x1200

Senza gas / Without gas / Sans gaz



## BELL.

### Dimensioni disponibili:

**Base:** mm Ø 480 - 450x450

**Colonna:** mm Ø 80

**Altezza:** mm 430 - 730 - 1070

### Available sizes:

**Base:** mm Ø 480 - 450x450

**Column:** mm Ø 80

**Height:** mm 430 - 730 - 1070

### Dimensions disponibles:

**Base:** mm Ø 480 - 450x450

**Colonne:** mm Ø 80

**Hauteur:** mm 430 - 730 - 1070

### Fissaggi

Piani legno: Piastra in acciaio

Piani vetro: Platorello Inox

### Fixing

Wooden tops: Steel plate

Glass tops: Stainless steel plate

### Fissages

Plateau bois: Plaque en acier

Plateau verre: Plaque en inox

### Dotazioni incluse

Bell round: Appoggio a terra

Bell Square: Regolabili

### Equipment included

Bell round: Stay on the floor

Bell square: Adjustable feet

### Equipements inclus

Bell Round: Reposant sur le sol

Bell square: Réglables

## .collection

### Materiali & Finiture

(Finiture pagina 144)

Base acciaio: Cromo / Verniciato

### Material & Finishing

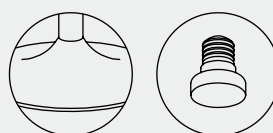
(Finishes page 144)

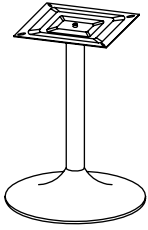
Steel base: Chrome / Painted

### Material et Finissage

(Finissage page 144)

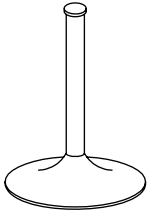
Base en acier: Chrome / Laqué





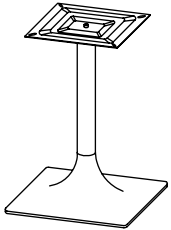
**WOOD  
Fixing**

	<b>BT.190.043L</b>	<b>BT.190.073L</b>	<b>BT.190.107L</b>
BASE	Ø 480	Ø 480	Ø 480
COLUMN	Ø 80	Ø 80	Ø 80
HEIGHT	430	730	1070
TOP MAX	Ø 900 800x800	Ø 900 800x800	Ø 800 700x700



**GLASS  
Fixing**

	<b>BT.190.043V</b>	<b>BT.190.073V</b>	<b>BT.190.107V</b>
BASE	Ø 480	Ø 480	Ø 480
COLUMN	Ø 80	Ø 80	Ø 80
HEIGHT	430	730	1070
TOP MAX	Ø 800 700x700	Ø 800 700x700	Ø 700 600x600



**WOOD  
Fixing**

	<b>BT.191.073L</b>	<b>BT.191.107L</b>
BASE	450x450	450x450
COLUMN	Ø 60	Ø 60
HEIGHT	730	1070
TOP MAX	Ø 900 800x800	Ø 800 700x700





## POLO.

### Dimensioni disponibili:

**Base:** mm Ø 580

**Colonna:** mm Ø 50

**Altezza:** mm 730 - 1070

### Available sizes:

**Base:** mm Ø 580

**Column:** mm Ø 50

**Height:** mm 730 - 1070

### Dimensions disponibles:

**Base:** mm Ø 580

**Colonne:** mm Ø 50

**Hauteur:** mm 730 - 1070

### Fissaggi

Piani legno: Piastra in acciaio

### Fixing

Wooden tops: Steel plate

### Fissages

Plateau bois: Plaque en acier

### Dotazioni incluse

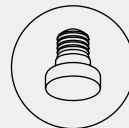
Regolabili

### Equipment included

Adjustable feet

### Équipement inclus

Réglables



## .collection

### Materiali & Finiture

(Finiture pagina 144)

Base acciaio: Cromo / Verniciato

### Material & Finishing

(Finishes page 144)

Steel base: Chrome / Painted

### Material et Finissage

(Finissage page 144)

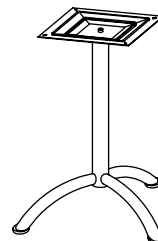
Base en acier: Chrome / Laqué



POLO 4

### WOOD Fixing

	BT.150.073L	BT.150.107L
BASE	Ø 580	Ø 580
COLUMN	Ø 50	Ø 50
HEIGHT	730	1070
TOP MAX	Ø 800 700x700	Ø 700 600x600



POLO 3

### WOOD Fixing

	BT.151.073L
BASE	Ø 580
COLUMN	Ø 50
HEIGHT	730
TOP MAX	Ø 700 600x600



## BASIS.

### Dimensioni disponibili:

**Base:** mm Ø 600

**Tubo:** mm Ø 30

**Altezza:** mm 730

### Available sizes:

**Base:** mm Ø 600

**Tube:** mm Ø 30

**Height:** mm 730

### Dimensions disponibles:

**Base:** mm Ø 600

**Tube:** mm Ø 30

**Hauteur:** mm 730

### Fissaggi

Piani legno

### Fixing

Wooden tops

### Fissages

Plateau bois

### Dotazioni incluse

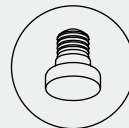
Regolabili

### Equipment included

Adjustable feet

### Équipement inclus

Réglables



## .collection

### Materiali & Finiture

(Finiture pagina 144)

Base acciaio: Verniciato

### Material & Finishing

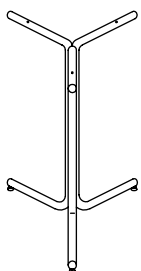
(Finishes page 144)

Steel base: Painted

### Material et Finition

(Finissage page 144)

Base en acier: Laqué



BASIS 3

### WOOD Fixing

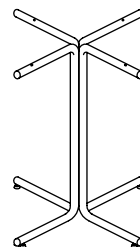
BT.153.073L

BASE Ø 600

TUBE Ø 30

HEIGHT 730

TOP MAX Ø 800  
700x700



BASIS 4

### WOOD Fixing

BT.152.073L

BASE Ø 600

TUBE Ø 30

HEIGHT 730

TOP MAX Ø 900  
800x800



## PLANE.

### Dimensioni disponibili:

**Base:** mm Ø 440 / 470x470

**Colonna:** mm Ø 80 / 80x80

**Altezza:** mm 730 - 1070

### Available sizes:

**Base:** mm Ø 440 / 470x470

**Column:** mm Ø 80 / 80x80

**Height:** mm 730 - 1070

### Dimensions disponibles:

**Base:** mm Ø 440 / 470x470

**Colonne:** mm Ø 80 / 80x80

**Hauteur:** mm 730 - 1070

### Fissaggi

Piani legno: Piastra in acciaio

### Fixing

Wooden tops: Steel plate

### Fissages

Plateau bois: Plaque en acier

### Dotazioni incluse

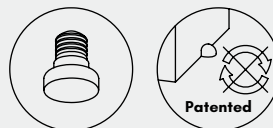
Regolabili

### Equipment included

Adjustable feet

### Équipement inclus

Réglables



## .collection

### Materiali & Finiture

(Finiture pagina 144)

Base acciaio: Verniciato

### Material & Finishing

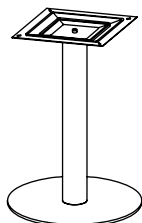
(Finishes page 144)

Steel base: Painted

### Material et Finissage

(Finissage page 144)

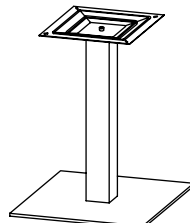
Base en acier: Laqué



PLANE ROUND

### WOOD Fixing

	BT.170.073L	BT.170.107L
BASE	Ø 440	Ø 440
COLUMN	Ø 80	Ø 80
HEIGHT	730	1070
TOP MAX	Ø 900 800x800	Ø 800 700x700



PLANE SQUARE

### WOOD Fixing

	BT.171.073L	BT.171.107L
BASE	470x470	470x470
COLUMN	80x80	80x80
HEIGHT	730	1070
TOP MAX	Ø 900 800x800	Ø 800 700x700





## TREND.

### Dimensioni disponibili:

**Base:** mm Ø 600

**Colonna:** mm Ø 50

**Altezza:** mm 720 - 1070

### Available sizes:

**Base:** mm Ø 600

**Column:** mm Ø 50

**Height:** mm 720 - 1070

### Dimensions disponibles:

**Base:** mm Ø 600

**Colonne:** mm Ø 50

**Hauteur:** mm 720 - 1070

### Fissaggi

Piani legno

### Fixing

Wooden tops

### Fissages

Plateau en bois

### Dotazioni incluse

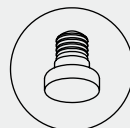
Regolabili

### Equipment included

Leveller

### Équipement inclus

Réglables



## .collection

### Materiali & Finiture

(Finiture pagina 144)

Base alluminio verniciata grigio

### Material & Finishing

(Finishes page 144)

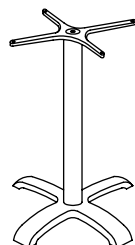
Aluminium base:

grey painted

### Material et Finissage

(Finissage page 144)

Base en aluminium verni gris



### WOOD

#### Fixing

**BT.160.072L**

BASE Ø 600

COLUMN Ø 50

HEIGHT 720

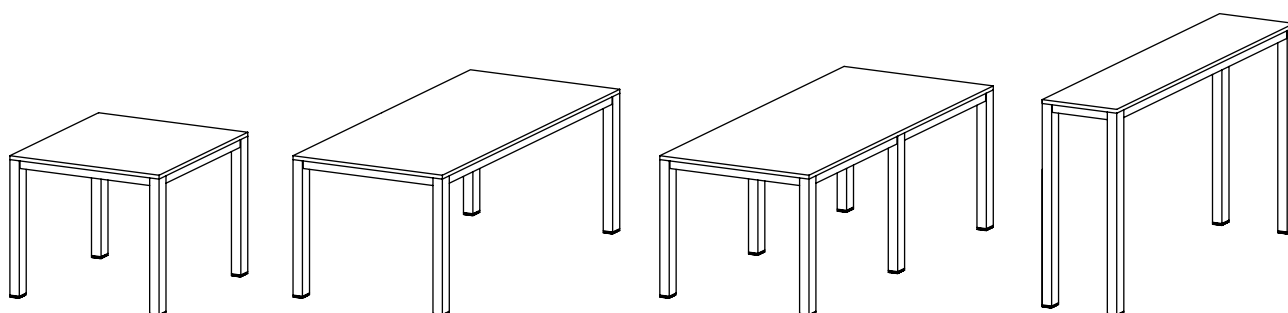
TOP MAX Ø 800

700x700

# BLOCK.System

MADE IN ITALY

Design Studio Corbetta Salvatore





## BLOCK.System

### Struttura per tavoli

Componibile, dimensioni varie.  
Gambe: Tubo 50x50 mm  
Traverse: Tubo 40x40 mm

### Structure for tables

Modular, different sizes.  
Legs: Tube 50x50 mm  
Crossbars: Tube 40x40 mm

### Structure pour les tables

Modulaires, différentes dimensions.  
Pied: 50x50 mm Tube  
Traverse: 40x40 mm Tube

### Fissaggi

Piani legno

### Fixing

Wooden tops

### Fissages

Plateau en bois

### Dotazioni incluse

Regolabili  
**Opzionale:** Ruote

### Equipment included

Adjustable feet  
**Optional:** Wheels

### Equipements inclus

Réglables  
**Optionnel:** Roues

### Materiali & Finiture

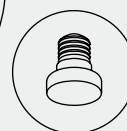
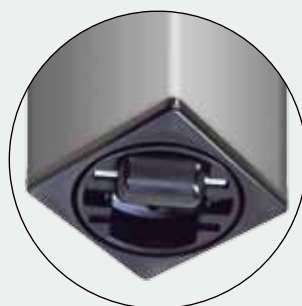
(Finiture pagina 144)  
Acciaio: Cromo / Verniciato  
Acciaio Inox: Satinato

### Material & Finishing

(Finishes page 144)  
Steel: Chrome plated / Painted  
Stainless steel: Satin

### Material et Finissage

(Finissage page 144)  
Acier: Chrome / Laqué  
Acier INOX: Satiné





Sistema modulare con giunti per costruire strutture per tavoli. Le strutture sono costruite con tubi d'acciaio a sezione quadrata. La componibilità della struttura permette di costruire tavoli in diverse dimensioni ed altezze. Tutte le gambe sono dotate di regolabile.

Modular system with connection joints to build tables structure formed by square section steel tubes. The modular system allows to build tables in different sizes and heights. All legs are equipped with adjusters.

Système modulaire avec joints de construire des structures pour les tableaux. Les structures sont construites avec des tubes d'acier de section carrée. La structure modulaire permet de construire des tables de différentes tailles et hauteurs. Tous les pieds sont équipés réglable.

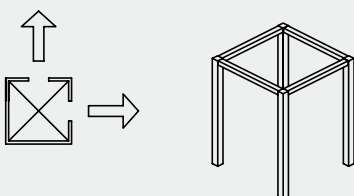
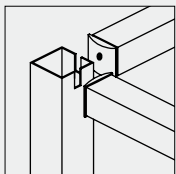
## BLOCK.System

.datasheet

### GAMBE / LEGS / PIEDS - 2 way

50x50 mm - Set 4 pcs

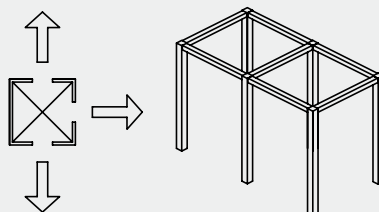
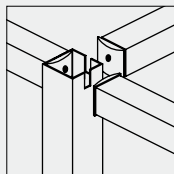
**BT200.038L** H. 380 mm  
**BT200.071L** H. 710 mm  
**BT200.107L** H. 1070 mm



### GAMBE / LEGS / PIEDS - 3 way

50x50 mm - Set 2 pcs

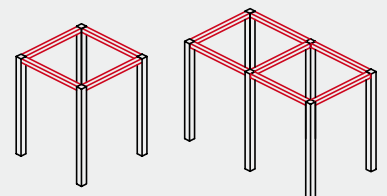
**BT201.071L** H. 710 mm  
**BT201.107L** H. 1070 mm



### TRAVERSE / CROSSBARS / TRAVERSES

40x40 mm - Set 2 pcs

**BT203.048L** 600 mm lato/side/côté  
**BT203.058L** 700 mm lato/side/côté  
**BT203.068L** 800 mm lato/side/côté  
**BT203.078L** 900 mm lato/side/côté  
**BT203.088L** 1000 mm lato/side/côté  
**BT203.108L** 1200 mm lato/side/côté  
**BT203.128L** 1400 mm lato/side/côté  
**BT203.148L** 1600 mm lato/side/côté  
**BT203.168L** 1800 mm lato/side/côté  
**BT203.188L** 2000 mm lato/side/côté



STOOLS. CELINE



# NEVADA.

MADE IN ITALY

Design Studio Corbetta Salvatore





## NEVADA.

.collection

### Struttura per tavoli

Componibile, dimensioni varie.  
Spalla: Tubo 50x50 mm  
Traverse: Tubo 40x40 mm

### Structure for tables

Modular, different sizes.  
Frame: Tube 50x50 mm  
Crossbars: Tube 40x40 mm

### Structure pour les tables

Modulaires, différentes dimensions.  
Pied: 50x50 mm Tube  
Traverse: 40x40 mm Tube

### Fissaggi

Piani legno

### Fixing

Wooden tops

### Fissages

Plateau en bois

### Dotazioni incluse

Regolabili

### Equipment included

Leveller

### Equipements inclus

Réglables

### Materiali & Finiture

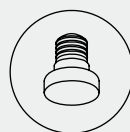
(Finiture pagina 144)  
Acciaio: Cromo / Verniciato

### Material & Finishing

(Finishes page 144)  
Steel: Chrome plated / Painted

### Material et Finissage

(Finissage page 144)  
Acier: Chrome / Laqué

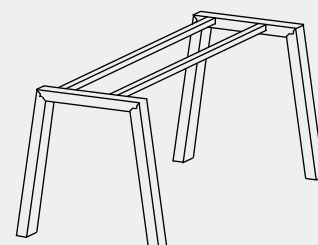
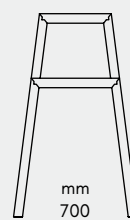


**SPALLA / FRAME / PIEDS**  
50x50 mm - Set 2 pcs

**BT208.073L** H. 730 mm  
**BT208.107L** H. 1070 mm

**TRAVERSE / CROSSBARS / TRAVERSES**  
40x40 mm - Set 2 pcs

**BT209.108L** 1200 mm lato/side/côté  
**BT209.128L** 1400 mm lato/side/côté  
**BT209.148L** 1600 mm lato/side/côté  
**BT209.168L** 1800 mm lato/side/côté  
**BT209.188L** 2000 mm lato/side/côté









## BRIDGE.

## .collection

### Struttura per tavoli

Componibile, dimensioni varie.  
Spalla: Tubo 50x50 mm  
Traverse: Tubo 40x40 mm

### Structure for tables

Modular, different sizes.  
Frame: Tube 50x50 mm  
Crossbars: Tube 40x40 mm

### Structure pour les tables

Modulaires, différentes dimensions.  
Pied: 50x50 mm Tube  
Traverse: 40x40 mm Tube

### Fissaggi

Piani legno  
Piani vetro (Ventose per vetro)

### Fixing

Wooden tops  
Glass tops (Rubber cushions)

### Fissages

Plateau en bois  
Plateau en verre  
(Avec verre ventouses)

### Dotazioni incluse

Regolabili

### Equipment included

Leveller

### Équipement inclus

Réglables

### Materiali & Finiture

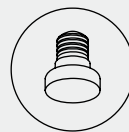
(Finiture pagina 144)  
Acciaio: Cromo / Verniciato

### Material & Finishing

(Finishes page 144)  
Steel: Chrome plated / Painted

### Material et Finissage

(Finissage page 144)  
Acier: Chrome / Laqué



### SPALLA / FRAME / PIEDS

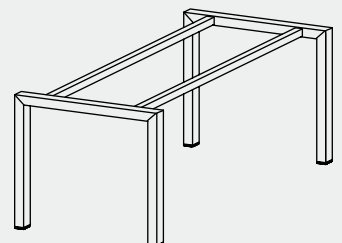
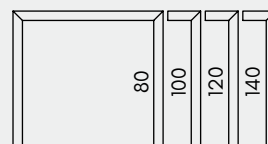
50x50 mm - Set 2 pcs

<b>BT212.080L</b>	L. 800 mm
<b>BT212.100L</b>	L. 1000 mm
<b>BT212.120L</b>	L. 1200 mm
<b>BT212.140L</b>	L. 1400 mm

### TRAVERSE / CROSSBARS / TRAVERSES

40x40 mm - Set 2 pcs

<b>BT213.108L</b>	1200 mm	lato/side/côté
<b>BT213.128L</b>	1400 mm	lato/side/côté
<b>BT213.148L</b>	1600 mm	lato/side/côté
<b>BT213.168L</b>	1800 mm	lato/side/côté
<b>BT213.188L</b>	2000 mm	lato/side/côté





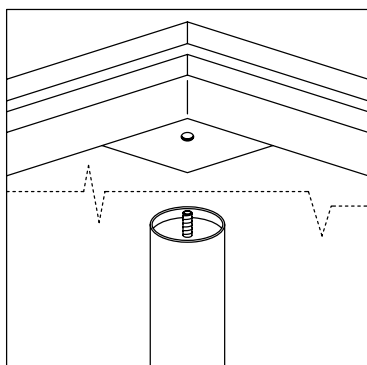
**Codici / Dimensioni disponibili:**  
**Codes / Available sizes:**  
**Codes / Dimension disponibles:**

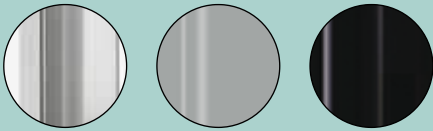
**Gambe / Legs / Pied - Ø 50 mm**

BT.301.8080	80x80 cm
BT.301.80120	80x120 cm
BT.301.80140	80x140 cm
BT.301.80160	80x160 cm
BT.301.80180	80x180 cm

**Gambe / Legs / Pied - Ø 60 mm**

BT.302.8080	80x80 cm
BT.302.80120	80x120 cm
BT.302.80140	80x140 cm
BT.302.80160	80x160 cm
BT.302.80180	80x180 cm





**DOMINO.**

**.collection**

**Struttura per tavoli. H. 73 cm**

Struttura sottopiano in tubo d'acciaio 40x20 mm  
Colore bianco, alluminio o nero.  
Gambe svitabili: 50/60 mm.

**Structure for tables. H. 73 cm**

Tables with under top frame made in steel tube 40x20 mm paint white, black or aluminium.  
Removable legs: Ø 50/60 mm.

**Structure pour tables. H. 73 cm**

Tables avec tube d'acier 40x20 mm laqué blanc, noires ou aluminium.  
Pied amovible: Ø 50/60 mm.

**Fissaggi**

Piani legno

**Fixing**

Wooden tops

**Fissages**

Plateau bois

**Dotazioni incluse**

Regolabili

**Equipment included**

Adjustable feet

**Equipement inclus**

Réglables

**Materiali & Finiture**

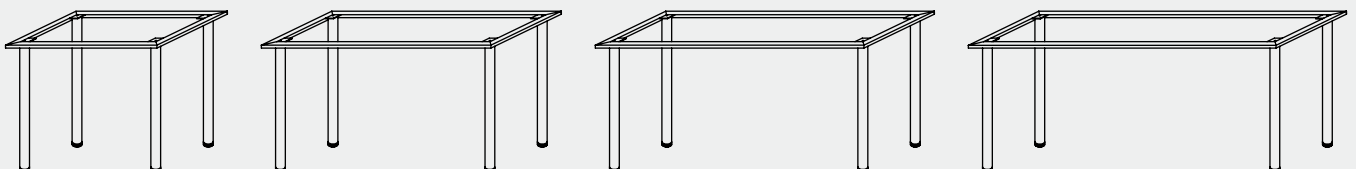
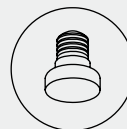
Gambe acciaio: Cromo  
Bianco / Nero / Alluminio

**Material & Finishing**

Steel legs: Chrome plated / White  
Black / Aluminium

**Material et Finissage**

Acier pied: Chrome / Blanc  
Noir / Aluminium





**WOOD Fixing** **BTCR8 (1 PCS)**

Crociera in ghisa per piani in legno  
Cast-iron cross for wooden tops  
Croix en fonte pour plateau en bois



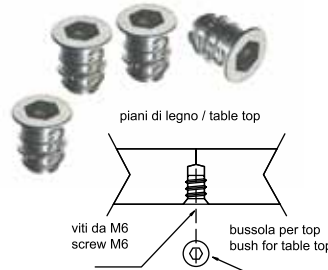
**GLASS Fixing** **BTPL80 (Ø80 mm)**  
**BTPL100 (Ø100 mm)**

Platello inox per piani in vetro  
Ø 80 mm - Ø 100 mm  
Inox plate for glass tops  
Ø 80 mm - Ø 100 mm  
Plaque inox pour plateau en verre  
Ø 80 mm - Ø 100 mm



**WOOD Fixing** **BTPSI (1 PCS)**

Piastra in acciaio 320x320 mm per fissaggio piani in legno  
Steel plate 320x320 mm for wood tops  
Plaque d'acier 320x320 mm pour fixation dans les plateau en bois



**BTBS6MA (4 PCS)**

Bussole per i piani legno per viti 6 MA  
Bushes for wood tops - M 6  
Inserts pour les plateau bois - M 6



**BTRG6M (1 PCS)**

Regolabile altezza base 8 mm.  
Adjustable feet H. 8 mm.  
Réglable hauteur 8 mm.



**BTFG (1 PCS)**

Puntali in gomma  
Fix rubber plugs  
Pieds en caoutchouc



**BTPR (1 PCS)**

Supporti per tubi delle prolunghe  
Plastic supports for top extensions  
Supports de extensions plateau



**BTPR28TB (1 PCS)**

Tubi Ø 28 mm per prolunghe  
Tubes Ø 28 mm for extensions  
Tubes Ø 28 mm pour extensions



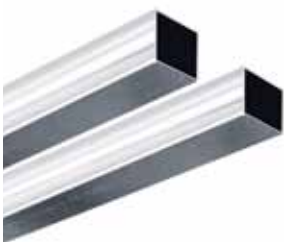
**BTGNZA (1 PCS)**

Giunto per piani in plastica  
Plastic joint for tops  
Raccord en plastique pour plateaux



**E1973 (1 PCS)**

Giunto per piani a leva in acciaio nichelato  
Steel joint for tops  
Raccord en acier pour plateaux



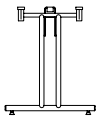
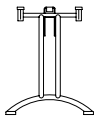
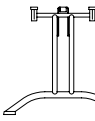
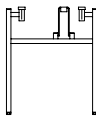
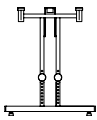
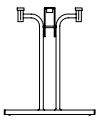
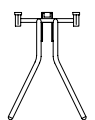
**REINFORCING BARS**

Barre in acciaio di rinforzo per fissaggio sotto il piano.  
Reinforcing steel bars for table tops.  
Les barres d'armature en acier pour le montage sous le plateau.



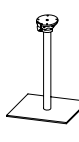
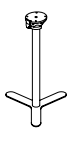
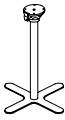
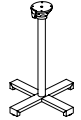
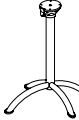
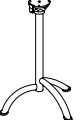
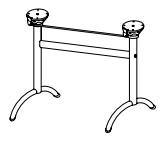
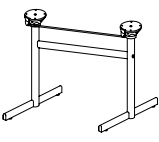
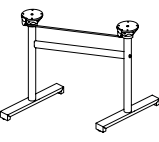
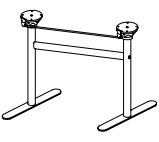
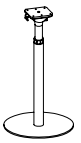
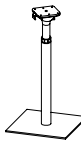
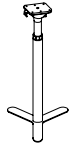
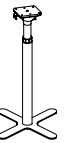
# FLEEXO.



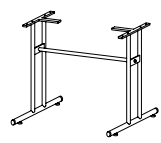


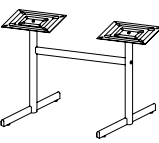
## flexo.device.A

86. FLEXO.1		88. FLEXO.2		89. FLEXO.2 big		90. FLEXO.3	
91. FLEXO.15		92. FLEXO.20		93. FLEXO.21			

## flexo.device.B

95. FLEXO.4		96. FLEXO.16		96. FLEXO.17		97. FLEXO.18	
97. FLEXO.19		98. FLEXO.23		98. FLEXO.5		99. FLEXO.14	
100. FLEXO.7		100. FLEXO.8		101. FLEXO.24		101. FLEXO.25	
102. FLEXO.1 up&down		102. FLEXO.2 up&down		103. FLEXO.3 up&down		103. FLEXO.4 up&down	

## flexo.fix

104. FLEXO.1 fix		104. FLEXO.2 fix		105. FLEXO.7 fix		105. FLEXO.8 fix	
---------------------	---	---------------------	---	---------------------	--	---------------------	---

## extra & accessories

106. SYSTEM	108. ACCESSORIES	110. TROLLEY	144. FINITURE ACCIAIO FINISHING STEEL FINISSAGE ACIER
----------------	---------------------	-----------------	--

Strutture di elementi tubolari in acciaio predisposte con appositi attacchi e di meccanismo per fissaggio al piano. Il meccanismo è dotato di sistema di bloccaggio dei fianchi sia a tavolo aperto che chiuso. Dotate di piedini regolabili. I tavoli che adottano questo sistema di basi possono essere sovrapposti, pallettizzati e impilati.

Tubular steel frame complete with connections and mechanism for top fixing. The mechanism is equipped with a frame locking system when table is open or close. Adjustable feet included. With this frame system tables can be stackable and piled up on pallets.

Structure en éléments tubulaires en acier, équipée de connexion et d'un mécanisme pour la fixation au plateau. Le mécanisme est équipé d'un système de verrouillage aussi bien en position ouverte que fermée. Les bases sont équipées de pieds réglables. Les plateaux équipés de ces structures peuvent être empilés sur eux mêmes ou sur un chariot.



CATAS TESTED: N° 50993



Meccanismo di chiusura realizzato in acciaio zincato ad alta resistenza. Permette la chiusura e l'apertura dei fianchi tavolo tramite la semplice pressione della leva posta nella parte superiore del meccanismo.

Closing mechanism made of high resistance steel. Allows the closing and opening of the table frame through the pressure of the lever placed in the upper part of the mechanism.

Mécanisme de blocage en acier galvanisé haute résistance. Permet l'ouverture et la fermeture de la structure par simple pression sur le levier dans la partie supérieure du mécanisme.



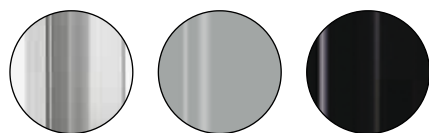
# FLEXO.1



Struttura in metallo tubolare con base lineare.  
Dotato di puntali regolabili in plastica.  
Disponibile con ruote.

Steel frame with linear base.  
All version with adjusters.  
Wheels available.

Structure métallique tubulaire avec base linéaire.  
Equipée de pieds en plastique réglables.  
Disponibile avec roues.



- 01. Cromo / Chrome
- 09. Alluminio / Aluminium
- 03. Nero / Black / Noir

Meccanismo di chiusura realizzato in acciaio zincato ad alta resistenza. Permette la chiusura e l'apertura dei fianchi tavolo tramite la semplice pressione della leva posta nella parte superiore del meccanismo.

Closing mechanism made of high resistance steel. Allows the closing and opening of the table frame through the pressure of the lever placed in the upper part of the mechanism.

Mécanisme de blocage en acier galvanisé haute résistance. Permet l'ouverture et la fermeture de la structure par simple pression sur le levier dans la partie supérieure du mécanisme.



Brevettato  
Patented  
Breveté

## K6023



## K6023.R180 - K6023.40



## K6023.R160





## FLEJO 1

Base standard larghezza 60 cm

**Set 2 pezzi - Dimensioni piani:**

Spessore minimo piano 24/25 mm

Min. 800x1200 / Ø 1300 mm

Standard base wide 60 cm

**Box 2 pcs - Tops size:**

Thickness minimum top 24/25 mm

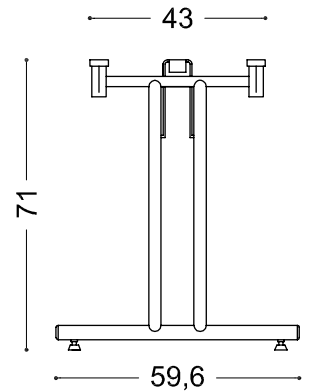
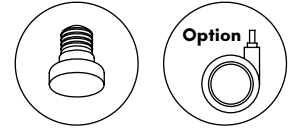
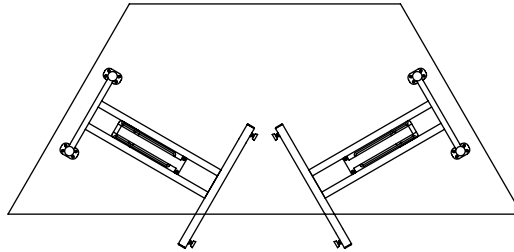
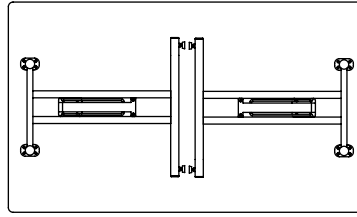
Min. 800x1200 / Ø 1300 mm

Standard base 60 cm de large

**Box 2 pcs - Dimensions des plateaux:**

Epaisseur minimale 24/25 mm

Min. 800x1200 / Ø 1300 mm



## FLEJO 1 - D180 / 40

Base larghezza 40 cm

**Dimensioni piani:**

Spessore minimo piano 24/25 mm

**Set 3 pezzi - K6023D180:**

Per piani tondi Ø 1800 mm

**Set 2 pezzi - K6023/40**

Mix. 60x120 cm

Base 40 cm wide

**Tops size:**

Thickness minimum top 24/25 mm

**Box 3 pcs - K6023D180:**

For round tops Ø 1800 mm

**Box 2 pcs - K6023/40:**

Mix. 60x120 cm

Base 40 cm de large

**Dimensions des plateaux:**

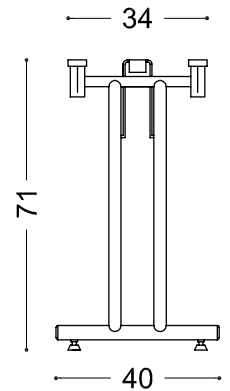
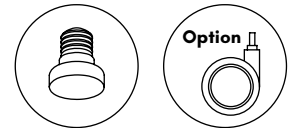
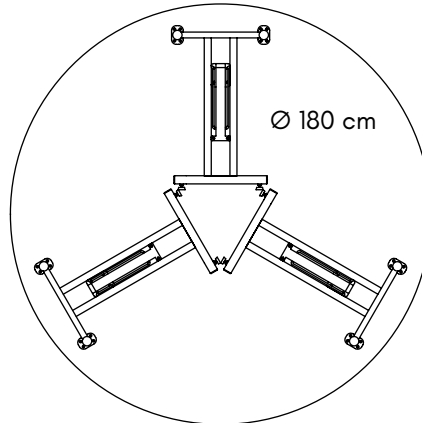
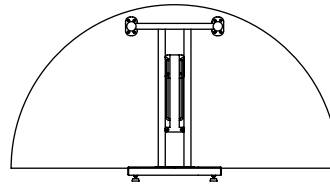
Epaisseur minimale 24/25 mm

**Box 3 pcs - K6023D180:**

Plateau ronde Ø 1800 mm

**Box 2 pcs - K6023/40:**

Mix. 60x120 cm



## FLEJO 1 D160

Base larghezza 20 cm

**Set 3 pcs - Dimensioni piani:**

Spessore minimo piano 24/25 mm

Per piani tondi Ø 1600 mm

Base 20 cm wide

**Box 3 pcs - Tops size:**

Thickness minimum top 24/25 mm

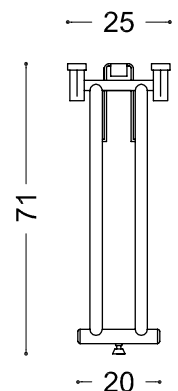
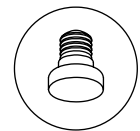
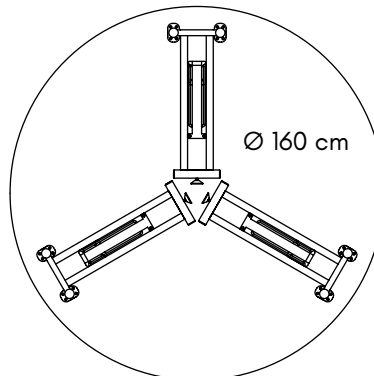
For round tops Ø 1600 mm

Base 20 cm de large

**Box 3 pcs - Dimensions des plateaux:**

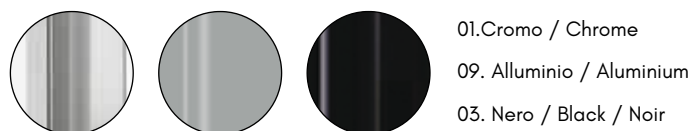
Epaisseur minimale 24/25 mm

Plateau ronde Ø 1600 mm



# FLEXO.2

## K6027



Struttura in metallo tubolare con base curva. Set 2 pezzi.  
Predisposta con meccanismo di apertura e chiusura del piano.  
Dotato di piedini regolabili in plastica. Disponibile con ruote.

**Dimensioni dei piani:**

Spessore minimo piano 24/25 mm  
Minimo 700x1200 mm

Steel frame with curved base. Set 2 pieces.  
With mechanism for opening and closing of the top.  
With adjustable feet in plastic. Wheels available.

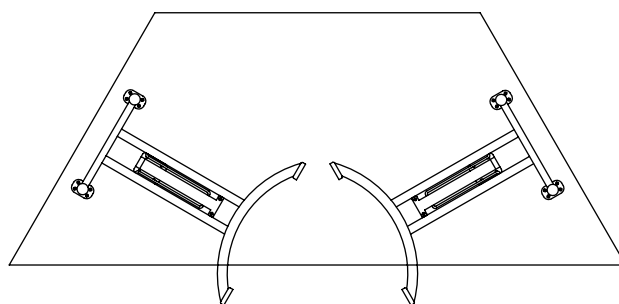
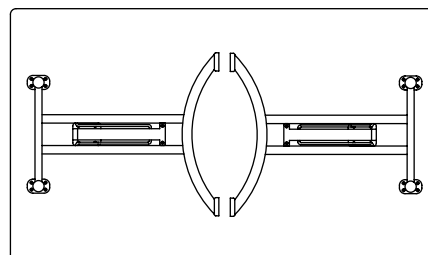
**Top size:**

Minimum thickness of top 24/25 mm  
Minimum 700x1200 mm

Structure métallique tubulaire avec base courbe. Set de 2 pièces.  
Equipée d'un mécanisme d'ouverture et verrouillage du piétement.  
Equipée de pieds en plastique réglables. Disponible avec roues.

**Dimensions des Plateaux:**

Épaisseur minimale 24/25 mm  
Minimum 700x1200 mm



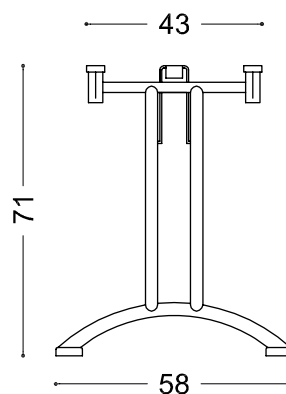
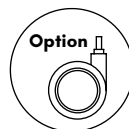
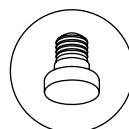
Meccanismo di chiusura realizzato in acciaio zincato ad alta resistenza. Permette la chiusura e l'apertura dei fianchi tavolo tramite la semplice pressione della leva posta nella parte superiore del meccanismo.

Closing mechanism made of high resistance steel. Allows the closing and opening of the table frame through the pressure of the lever placed in the upper part of the mechanism.

Mécanisme de blocage en acier galvanisé haute résistance. Permet l'ouverture et la fermeture de la structure par simple pression sur le levier dans la partie supérieure du mécanisme.

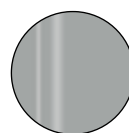
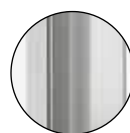


Brevettato  
Patented  
Breveté



# FLEXO.2 BIG

K6046



01. Cromo / Chrome  
09. Alluminio / Aluminium  
03. Nero / Black / Noir

Struttura in metallo tubolare con base semi-curva. Set 2 pezzi.  
Predisposta con meccanismo di apertura e chiusura del piano.  
Dotato di piedini regolabili in plastica.

**Dimensioni dei piani:**

Spessore minimo piano 24/25 mm  
Minimo 1200x1200 mm

Steel frame with curved base. Set 2 pieces.  
With mechanism for opening and closing of the top.  
With adjustable feet in plastic.

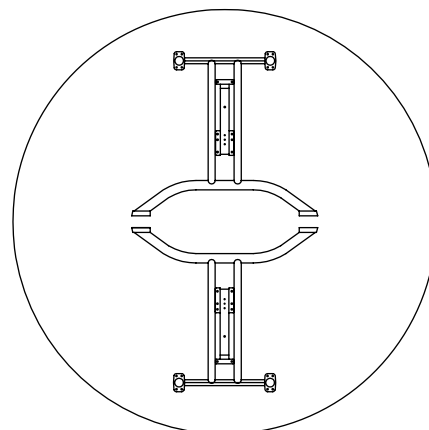
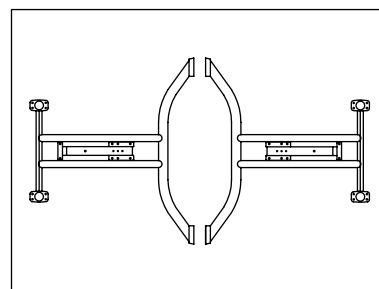
**Top size:**

Minimum thickness of top 24/25 mm  
Minimum 1200x1200 mm

Structure métallique tubulaire en acier avec base incurvée. Set de 2 pièces. Equipée d'un mécanisme d'ouverture et de verrouillage du piétement. Equipée de pieds en plastique réglables.

**Dimensions des Plateaux:**

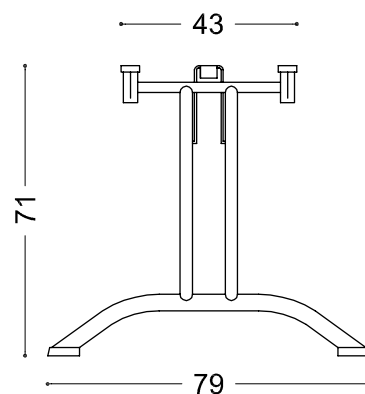
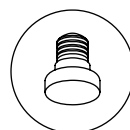
Epaisseur minimale 24/25 mm  
Minimum 1200x1200 mm

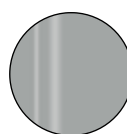


Meccanismo di chiusura realizzato in acciaio zincato ad alta resistenza. Permette la chiusura e l'apertura dei fianchi tavolo tramite la semplice pressione della leva posta nella parte superiore del meccanismo.

Closing mechanism made of high resistance steel. Allows the closing and opening of the table frame through the pressure of the lever placed in the upper part of the mechanism.

Mécanisme de blocage en acier galvanisé haute résistance. Permet l'ouverture et la fermeture de la structure par simple pression sur le levier dans la partie supérieure du mécanisme.





01. Cromo / Chrome  
09. Alluminio / Aluminium  
03. Nero / Black / Noir

Struttura in metallo creata appositamente con i meccanismi di apertura/chiusura del piano decentrati per essere utilizzata con piani ridotti e su tutti i lati. Set 2 pezzi. Predisposta con meccanismo di apertura e chiusura del piano. Con piedini regolabili.

**Dimensioni dei piani:**

Spessore minimo piano 24/25 mm  
Minimo 800x800 mm

Steel frame created with opening / closing mechanisms decentralized in order to be fit with small tops. Set 2 pieces. With adjustable plastic feet.

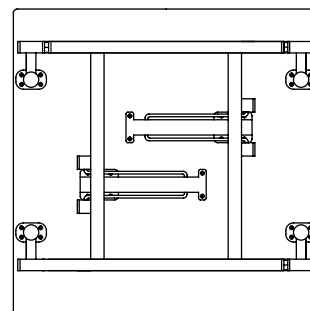
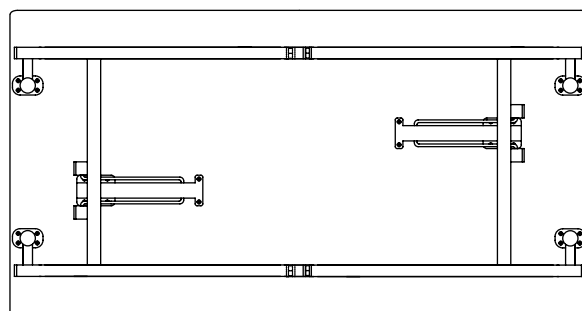
**Top size:**

Minimum thickness of top 24/25 mm  
Minimum 800x800 mm

Cette structure métallique a été conçue avec un mécanisme d'ouverture et de verrouillage décentré pour être utilisée avec des plateaux étroits et sur tous les cotés. Set de 2 pièces. Equipée de pieds en plastique réglables.

**Dimensions des Plateaux:**

Épaisseur minimale 24/25 mm  
Minimum 800x800 mm



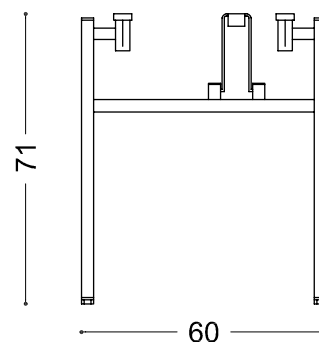
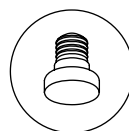
Meccanismo di chiusura realizzato in acciaio zincato ad alta resistenza. Permette la chiusura e l'apertura dei fianchi tavolo tramite la semplice pressione della leva posta nella parte superiore del meccanismo.

Closing mechanism made of high resistance steel. Allows the closing and opening of the table frame through the pressure of the lever placed in the upper part of the mechanism.

Mécanisme de blocage en acier galvanisé haute résistance. Permet l'ouverture et la fermeture de la structure par simple pression sur le levier dans la partie supérieure du mécanisme.

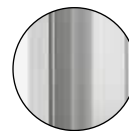


Brevettato  
Patented  
Breveté

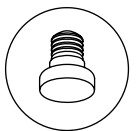


# FLEXO.15

## K30940



01.Cromo / Chrome



Struttura in metallo tubolare quadro con meccanismo allungabile della spalla che permette la regolazione della stessa a diverse altezze. Set 2 pezzi. Predisposta con meccanismo di apertura e chiusura del piano. Con piedini regolabili.

**Dimensioni dei piani:**

Spessore minimo piano 24/25 mm  
Minimo 700x1200 mm

Steel frame with extendable shoulders allows adjustment in different heights. Set 2 pieces. With adjustable plastic feet.

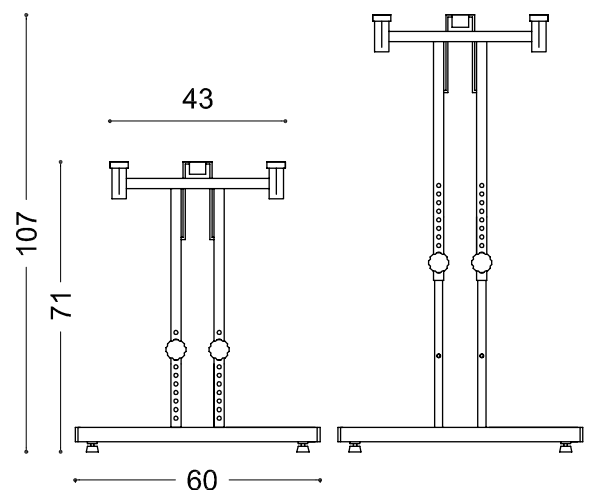
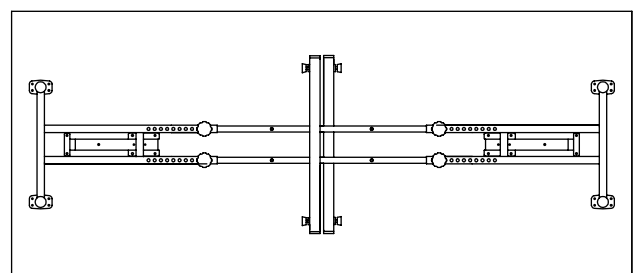
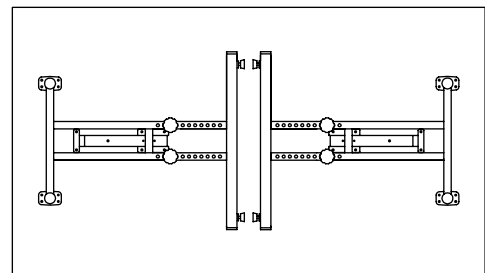
**Top size:**

Minimum thickness of top 24/25 mm  
Minimum 700x1200 mm

Structure métallique tubulaire en acier avec jambage coulissant pour réglage an hauteur. Set de 2 pièces. Equipée d'un mécanisme d'ouverture et de verrouillage du piétement. Equipée de pieds en plastique réglables.

**Dimensions des plateaux:**

Epaisseur minimale 24/25 mm  
700x1200 mm minimum



Meccanismo di chiusura realizzato in acciaio zincato ad alta resistenza. Permette la chiusura e l'apertura dei fianchi tavolo tramite la semplice pressione della leva posta nella parte superiore del meccanismo.

Closing mechanism made of high resistance steel. Allows the closing and opening of the table frame through the pressure of the lever placed in the upper part of the mechanism.

Mécanisme de blocage en acier galvanisé haute résistance. Permet l'ouverture et la fermeture de la structure par simple pression sur le levier dans la partie supérieure du mécanisme.

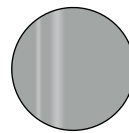
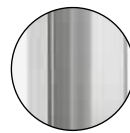
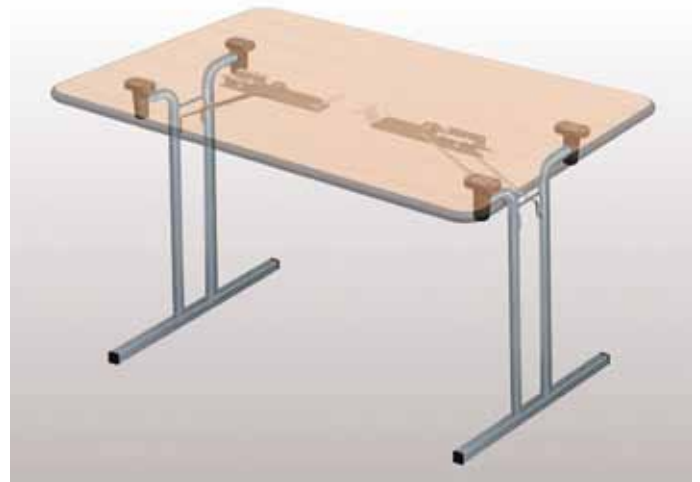


Brevettato  
Patented  
Breveté

# FLEXO.20



K6031



01. Cromo / Chrome  
09. Alluminio / Aluminium  
03. Nero / Black / Noir

Struttura in metallo tubolare con base dritta. Set 2 pezzi.  
Predisposta con meccanismo di apertura e chiusura del piano.  
Dotata di puntali fissi in plastica.

**Dimensioni dei piani:**

Spessore minimo piano 24/25 mm  
Minimo 700x1200 mm

Steel frame with linear base. Set 2 pieces.  
With mechanism for opening and closing of the top.  
With fix plug in plastic.

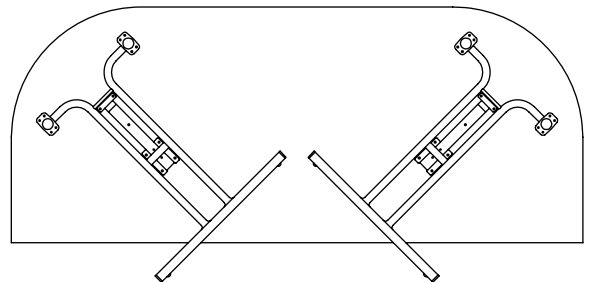
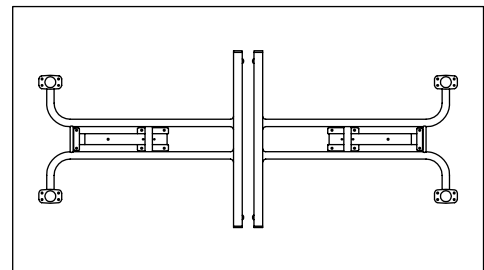
**Top size:**

Minimum thickness of top 24/25 mm  
Minimum 700x1200 mm

Structure métallique tubulaire avec base linéaire.  
Set de 2 pièces. Equipée de pieds en plastique fixes.

**Dimensions des Plateaux:**

Épaisseur minimale 24/25 mm  
Minimum 700x1200 mm



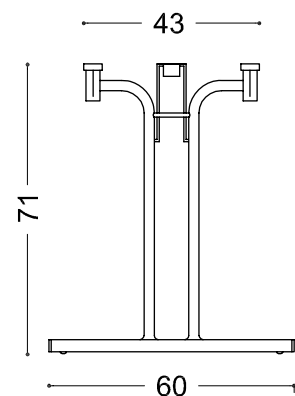
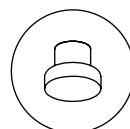
Meccanismo di chiusura realizzato in acciaio zincato ad alta resistenza. Permette la chiusura e l'apertura dei fianchi tavolo tramite la semplice pressione della leva posta nella parte superiore del meccanismo.

Closing mechanism made of high resistance steel. Allows the closing and opening of the table frame through the pressure of the lever placed in the upper part of the mechanism.

Mécanisme de blocage en acier galvanisé haute résistance. Permet l'ouverture et la fermeture de la structure par simple pression sur le levier dans la partie supérieure du mécanisme.



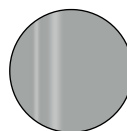
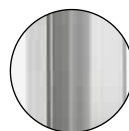
Brevettato  
Patented  
Breveté



# FLEXO.21



K6032



01. Cromo / Chrome  
09. Alluminio / Aluminium  
03. Nero / Black / Noir

Struttura in metallo tubolare con base a Y rovesciata. Set 2 pezzi.  
Predisposta con meccanismo di apertura e chiusura del piano.  
Dotata di puntali fissi in plastica.

**Dimensioni dei piani:**

Spessore minimo piano 24/25 mm  
Minimo 700x1200 mm

Steel frame with Y base. Set 2 pieces.  
With mechanism for opening and closing of the top.  
With fix plug in plastic.

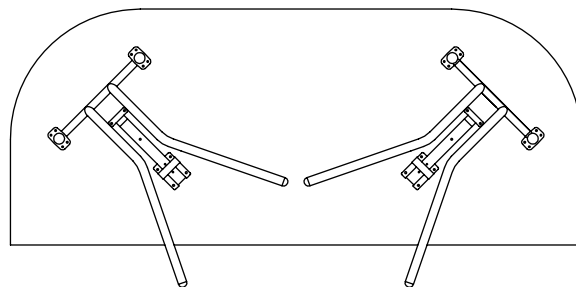
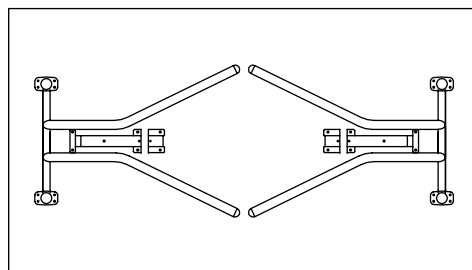
**Top size:**

Minimum thickness of top 24/25 mm  
Minimum 700x1200 mm

Structure métallique tubulaire avec base Y. Set de 2 pièces.  
Equipée de pieds en plastique fixes.

**Dimensions des Plateaux:**

Épaisseur minimale 24/25 mm  
Minimum 700x1200 mm



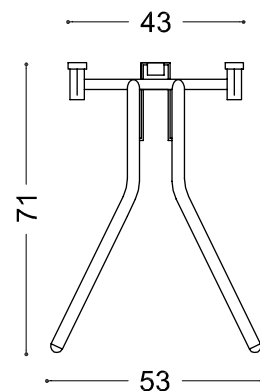
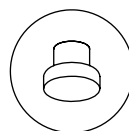
Meccanismo di chiusura realizzato in acciaio zincato ad alta resistenza. Permette la chiusura e l'apertura dei fianchi tavolo tramite la semplice pressione della leva posta nella parte superiore del meccanismo.

Closing mechanism made of high resistance steel. Allows the closing and opening of the table frame through the pressure of the lever placed in the upper part of the mechanism.

Mécanisme de blocage en acier galvanisé haute résistance. Permet l'ouverture et la fermeture de la structure par simple pression sur le levier dans la partie supérieure du mécanisme.



Brevettato  
Patented  
Breveté



# FLEXO. DEVICE.B

Strutture di elementi tubolari in acciaio predisposte con meccanismo ribaltabile in plastica ad alta resistenza per il ribaltamento dei piani. Tutte le strutture sono dotate di piedini regolabili. I tavoli che adottano questo sistema di basi possono essere sovrapposti, pallettizzati e impilati.

Metal bases provided with opening/closing top mechanism can be released by pulling red leveler. Mechanism is made by high strong plastic. All frames are equipped with adjustable feet. The tables which take this base system can be stacked, stacked on pallet.

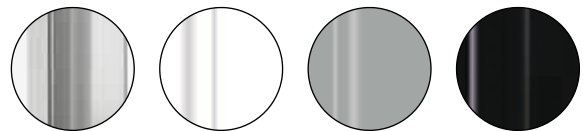
Structure en éléments tubulaires en acier, équipée de connexion et d'un mécanisme pour la fixation au plateau. Le mécanisme est en matière plastique à haute résistance. Toutes les bases sont équipées de pieds réglables. Les plateaux équipés de ces structures peuvent être empilés sur eux mêmes ou sur un chariot.



**CATAS TESTED: N° 51041**





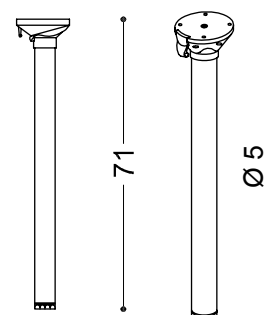
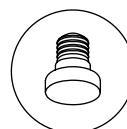
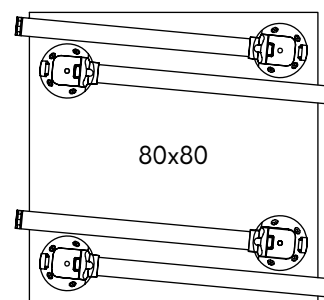
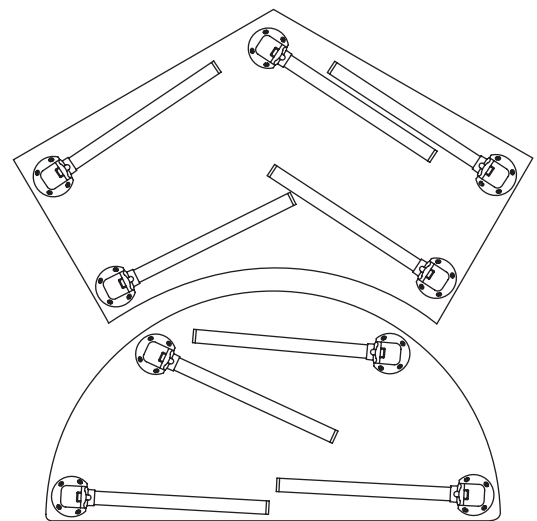


- 01. Cromo / Chrome / Chromé
- 02. Bianco / White / Blanc
- 09. Alluminio / Aluminium
- 03. Nero / Black / Noir

Gamba pieghevole Ø 50 mm completo di meccanismo di apertura e chiusura. Dotata di distanziali antiusura che permettono di impilare i tavoli quando non sono utilizzati. Dotata di regolabile per adattarsi a qualsiasi pavimento.

Folding leg Ø 50 mm, complete with opening and closing mechanism. Suitable for all floor. Adjusters included.

Pied pliant 50mm métallique tubulaire avec mécanisme d'ouverture et fermeture du plateau. Equipé d'entretoise permettant d'empiler les tables. Equipé d'un pied réglable.



I tavoli che adottano questo sistema di supporti possono essere sovrapposti, pallettizzati e impilati.

Tables provided with this system are stackable, can be piled up on pallets.

Les tableaux qui adoptent ce système de médias peuvent être empilés, palettisés et empilés.

**IMPORTANTE:**

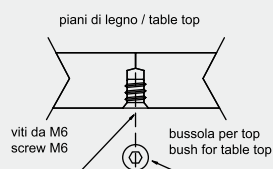
Per un miglior ancoraggio al piano consigliamo di inserire nel top delle bussole in metallo.

**IMPORTANT:**

To have a frame better fixing we suggest metal insert in the tops.

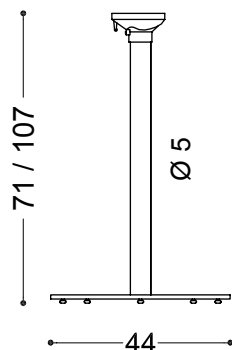
**IMPORTANT**

Pour une meilleure fixation du piétement, prévoir des inserts dans le plateau.



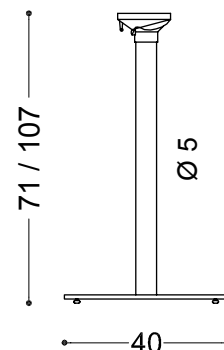
# FLEXO.16

K30937



# FLEXO.17

K30938



Struttura in acciaio. Basamento tondo Ø 440 mm, colonna Ø 50 mm completa di meccanismo di apertura/chiusura del piano. Versione indicata per tavolini con piani tondi/quadri di piccole dimensioni. La struttura è dotata di piedini regolabili.

**Dimensioni dei piani:** Massimo 700x700 / Ø 700 mm

Steel frame. Round base Ø 440 mm, column Ø 50 mm with mechanism to open & fold table top. This model is suitable for small round or square tops.

The structure is equipped with adjustable feet.

**Top size:** Maximum 700x700 / Ø 700 mm

Pied rabattabile en acier. Base ronde plate Ø 440 mm, colonne Ø 50 mm avec mécanisme d'ouverture et fermeture du plateau. Adapté pour de petits plateaux ronds ou carrés. Equipé de pieds réglables.

**Dimensions des plateaux:** Maximum 700x700 / Ø 700 mm

Struttura in acciaio. Basamento quadrato 400x400 mm, colonna Ø 50 mm completa di meccanismo di apertura/chiusura del piano. Versione indicata per tavolini con piani tondi/quadri di piccole dimensioni. La struttura è dotata di piedini regolabili.

**Dimensioni dei piani:** Massimo 700x700 / Ø 700 mm

Steel frame. Square base 400x400 mm, column Ø 50 mm with mechanism to open & fold table top. This model is suitable for small round or square tops.

The structure is equipped with adjustable feet.

**Top size:** Maximum 700x700 / Ø 700 mm

Pied rabattable en acier. Base plate carrée 400x400 mm, colonne Ø 50 mm avec mécanisme d'ouverture et fermeture du plateau. Adapté pour de petits plateaux ronds ou carrés. Equipé de pieds réglables.

**Dimensions des plateaux:** Maximum 700x700 / Ø 700 mm

## IMPORTANTE:

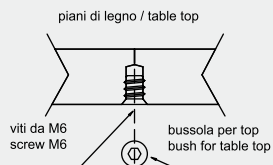
Per un miglior ancoraggio al piano consigliamo di inserire nel top delle bussolle in metallo.

## IMPORTANT:

To have a frame better fixing we suggest metal insert in the tops.

## IMPORTANT

Pour une meilleure fixation du piétement, prévoir des inserts dans le plateau.



## Materiali & Finiture

(Finiture pagina 144)

Acciaio:

Cromo / Verniciato

Acciaio Inox: Satinato

## Material & Finishing

(Finishes page 144)

Steel:

Chrome / Painted

Stainless steel: Satin

## Material et Finissage

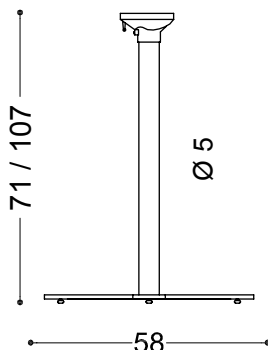
(Finissage page 144)

Acier: Chrome / Laqué

Acier Inox: Satiné

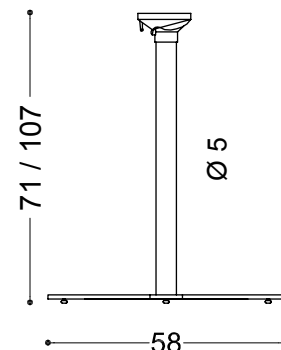
# FLEXO.18

K30942



# FLEXO.19

K30943



Struttura in acciaio. Base Petal 3 - Ø 580 mm, colonna Ø 50 mm completa di meccanismo di apertura/chiusura del piano. Versione indicata per tavolini con piani tondi/quadri di piccole dimensioni. La struttura è dotata di piedini regolabili.

**Dimensioni dei piani:** Massimo Ø 700 mm

Steel frame. Petal 3 base - Ø 580 mm, column Ø 50 mm with mechanism to open & fold table top. This model is suitable for small round or square tops.

The structure is equipped with adjustable feet.

**Top size:** Maximum Ø 700 mm

Pied rabattable en acier. Base Petal 3 - Ø 580 mm, colonne Ø 50 mm avec mécanisme d'ouverture et fermeture du plateau. Adapté pour de petits plateaux ronds ou carrés. Equipé de pieds réglables.

**Dimensions des plateaux:** Maximum Ø 700 mm



Struttura in acciaio. Base Petal 4 - Ø 580 mm, colonna Ø 50 mm completa di meccanismo di apertura/chiusura del piano. Versione indicata per tavolini con piani tondi/quadri di piccole dimensioni. La struttura è dotata di piedini regolabili.

**Dimensioni dei piani:** Massimo 700x700 / Ø 700 mm

Steel frame. Petal 4 base - Ø 580 mm, column Ø 50 mm with mechanism to open & fold table top. This model is suitable for small round or square tops.

The structure is equipped with adjustable feet.

**Top size:** Maximum 700x700 / Ø 700 mm

Pied rabattable en acier.- Base Petal 4 - Ø 580 mm, colonne Ø 50 mm avec mécanisme d'ouverture et fermeture du plateau. Adapté pour de petits plateaux ronds ou carrés. Equipé de pieds réglables.

**Dimensions des plateaux:** Maximum 700x700 / Ø 700 mm

#### IMPORTANTE:

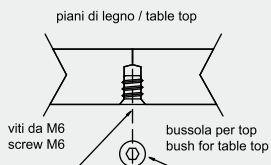
Per un miglior ancoraggio al piano consigliamo di inserire nel top delle bussoline in metallo.

#### IMPORTANT:

To have a frame better fixing we suggest metal insert in the tops.

#### IMPORTANT

Pour une meilleure fixation du piétement, prévoir des inserts dans le plateau.



#### Materiali & Finiture

(Finishes page 144)

Acciaio: Verniciato

#### Material & Finishing

(Finishes page 144)

Steel: Painted

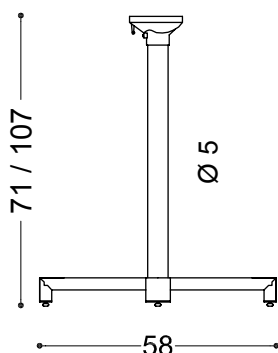
#### Material et Finissage

(Finissage page 144)

Acier: Laqué

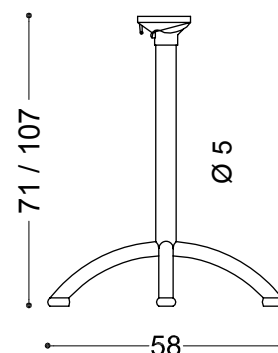
# FLEXO.23

K30945



# FLEXO.5

K30933



Struttura in acciaio o in acciaio inox. Tetris - Ø 580 mm, colonna Ø 50 mm completa di meccanismo di apertura/chiusura del piano. Versione indicata per tavolini con piani tondi/quadri di piccole dimensioni. La struttura è dotata di piedini regolabili.

**Dimensioni dei piani:** Massimo 700x700 / Ø 700 mm

Steel or stainless steel frame. Tetris base - Ø 580 mm, column Ø 50 mm with mechanism to open & fold table top. This model is suitable for small round or square tops.

The structure is equipped with adjustable feet.

**Top size:** Maximum 700x700 / Ø 700 mm

Pied rabattable en acier ou acier inox. Base Tetris - Ø 580 mm, colonne Ø 50 mm avec mécanisme d'ouverture et fermeture du plateau. Adapté pour de petits plateaux ronds ou carrés. Equipé de pieds réglables.

**Dimensions des plateaux:** Maximum 700x700 / Ø 700 mm

Struttura in acciaio. Base curva a croce Ø 580 mm, colonna Ø 50 mm completa di meccanismo di apertura/chiusura del piano. Versione indicata per tavolini con piani tondi/quadri di piccole dimensioni. La struttura è dotata di piedini regolabili.

**Dimensioni dei piani:** Massimo 700x700 / Ø 700 mm

Steel frame. Curved cross base - Ø 580 mm, column Ø 50 mm with mechanism to open & fold table top. This model is suitable for small round or square tops.

The structure is equipped with adjustable feet.

**Top size:** Maximum 700x700 / Ø 700 mm

Pied rabattable en acier. Base en croix incurvée - Ø 580 mm, colonne Ø 50 mm avec mécanisme d'ouverture et fermeture du plateau. Adapté pour de petits plateaux ronds ou carrés. Equipé de pieds réglables.

**Dimensions des plateaux:** Maximum 700x700 / Ø 700 mm

## IMPORTANTE:

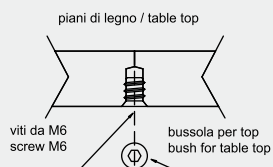
Per un miglior ancoraggio al piano consigliamo di inserire nel top delle bussole in metallo.

## IMPORTANT:

To have a frame better fixing we suggest metal insert in the tops.

## IMPORTANT

Pour une meilleure fixation du piétement, prévoir des inserts dans le plateau.



## Materiali & Finiture

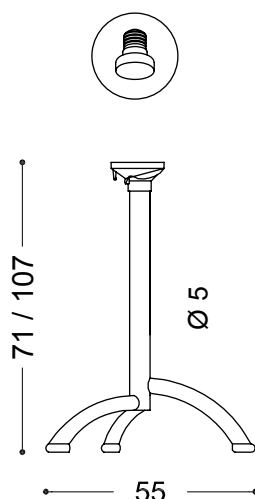
(Finiture pagina 144)  
Acciaio: Verniciato,  
Cromato (Solo 30933)

## Material & Finishing

(Finishes page 144)  
Steel: Painted  
Chrome (Only 30933)

## Material et Finissage

(Finissage page 144)  
Acier: Laqué  
Chrome (Code 30933)



I tavoli che adottano questo sistema di supporti possono essere sovrapposti, pallettizzati e impilati.

Tables provided with this system are stackable, can be piled up on pallets.

Les tableaux qui adoptent ce système de médias peuvent être empilés, palettisés et empilés.



Base in acciaio dotata di base con 3 piedi a diverse altezze per consentire la sovrapposibilità dei tavolini una volta ribaltato il piano. Base Ø 550 mm, colonna Ø 50 mm completa di meccanismo di apertura/chiusura del piano. Versione indicata per tavolini con piani tondi/quadri di piccole dimensioni. La struttura è dotata di piedini regolabili.

**Dimensioni dei piani:** Massimo 700x700 / Ø 700 mm

Steel base frame fitted with different heights base arms to allow the overlapping of the tables when close top. Base Ø 580 mm, column Ø 50 mm with mechanism to open & fold table top. This model is suitable for small round or square tops. The structure is equipped with adjustable feet.

**Top size:** Maximum 700x700 / Ø 700 mm

Pied rabattable en acier. En croix 3 branches décalées pour permettre la juxtaposition des tables repliées. Base Ø 580 mm, colonne Ø 50 mm avec mécanisme d'ouverture et fermeture du plateau. Adapté pour de petits plateaux ronds ou carrés. Equipé de pieds réglables.

**Dimensions des plateaux:** Maximum 700x700 / Ø 700 mm

#### IMPORTANTE:

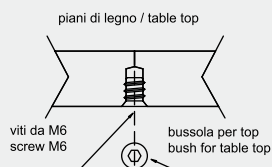
Per un miglior ancoraggio al piano consigliamo di inserire nel top delle bussoline in metallo.

#### IMPORTANT:

To have a frame better fixing we suggest metal insert in the tops.

#### IMPORTANT

Pour une meilleure fixation du piétement, prévoir des inserts dans le plateau.



#### Materiali & Finiture

(Finiture pagina 144)

Acciaio:  
Cromo / Verniciato

#### Material & Finishing

(Finishes page 144)

Steel:  
Chrome / Painted

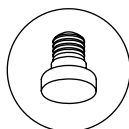
#### Material et Finissage

(Finissage page 144)

Acier: Chrome / Laqué

# FLEXO.7

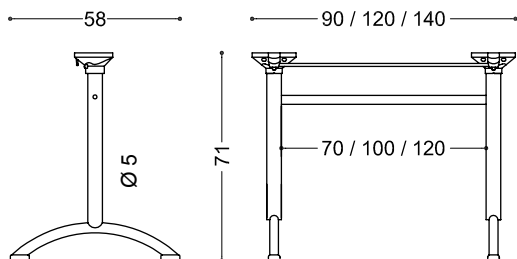
K30934



Struttura in metallo composta da due finali con basamento curvato collegati tra loro da una traversa. Completa di meccanismo per il ribaltamento del piano. La struttura è dotata di piedini regolabili. Disponibile con ruote.  
**Dimensioni dei piani:** Min. 120x70 / Max. 180x90 cm

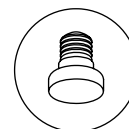
Curved double steel frame with connection crossbar. Complete with opening/closing mechanism for rectangular tops. Adjustable feet included. Wheels available.  
**Tops size:** Min. 120x70 / Max. 180x90 cm

Structure rabattabile en acier composé de 2 pieds à base incurvée, reliés par une traverse. Avec mécanisme d'ouverture et fermeture du plateau. Equipé de pieds réglables. Disponible avec roues.  
**Dimensions des plateaux:** Min. 120x70 / Max. 180x90 cm



# FLEXO.8

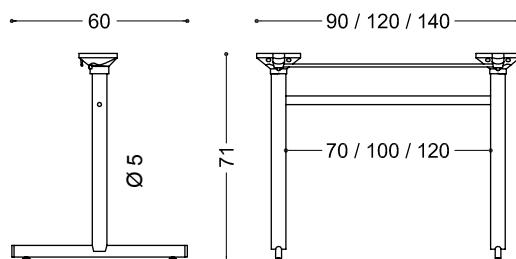
K30932



Struttura in metallo composta da due finali con basamento lineare collegati tra loro da una traversa. Completa di meccanismo per il ribaltamento del piano. La struttura è dotata di piedini regolabili. Disponibile con ruote.  
**Dimensioni dei piani:** Min. 120x70 / Max. 180x90 cm

Linear double steel frame with connection crossbar. Complete with opening/closing mechanism for rectangular tops. Adjustable feet included. Wheels available.  
**Dimensions of tops:** Min. 120x70 / Max. 180x90 cm

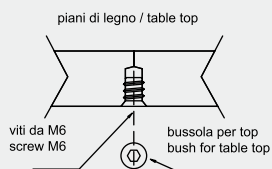
Structure rabattable métallique composé de 2 pieds à base linéaire, reliés par une traverse. Avec mécanisme d'ouverture et fermeture du plateau. Equipé de pieds réglables. Disponible avec roues.  
**Dimensions des plateaux:** Min. 120x70 / Max. 180x90 cm



**IMPORTANTE:**  
Inserire nel top delle bussole in metallo.

**IMPORTANT:**  
Metal insert in the tops.

**IMPORTANT**  
Inserts dans le plateau.



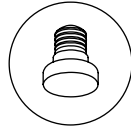
**Materiali & Finiture**  
(Finiture pagina 144)  
Acciaio:  
Cromato / Verniciato

**Material & Finishing**  
(Finishes page 144)  
Steel:  
Chrome / Painted

**Material et Finissage**  
(Finissage page 144)  
Acier:  
Chrome / Laqué

# FLEXO.24

K30946



Struttura in metallo composta da due finali con basamento TETRIS collegati tra loro da una traversa. Completa di meccanismo per il ribaltamento del piano. La struttura è dotata di piedini regolabili.

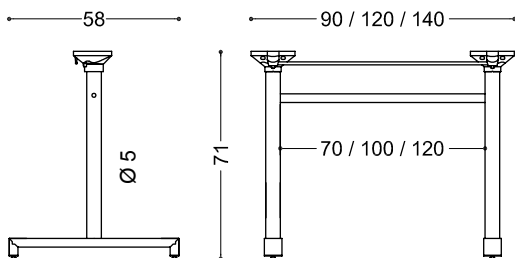
**Dimensioni dei piani:** Min. 120x70 / Max. 180x90 cm

TETRIS base steel frame with connection crossbar. Complete with opening/closing mechanism for rectangular tops. Adjustable feet included.

**Dimensions of tops:** Min. 120x70 / Max. 180x90 cm

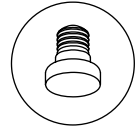
Structure rabattable métallique composé de 2 pieds TETRIS, reliés par une traverse. Avec mécanisme d'ouverture et fermeture du plateau. Equipé de pieds réglables.

**Dimensions des plateaux:** Min. 120x70 / Max. 180x90 cm



# FLEXO.25

K30947



Struttura in metallo composta da due finali con basamento PETAL collegati tra loro da una traversa. Completa di meccanismo per il ribaltamento del piano. La struttura è dotata di piedini regolabili.

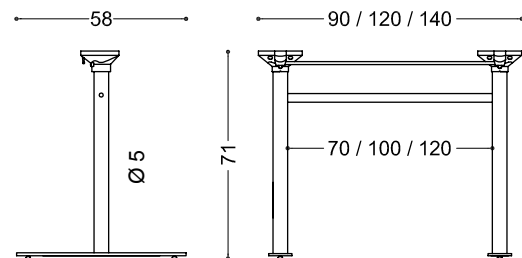
**Dimensioni dei piani:** Min. 120x70 / Max. 180x90 cm

PETAL steel frame with connection crossbar. Complete with opening/closing mechanism for rectangular tops. Adjustable feet included.

**Dimensions of tops:** Min. 120x70 / Max. 180x90 cm

Structure rabattable en acier composé de 2 pieds PETAL, reliés par une traverse. Avec mécanisme d'ouverture et fermeture du plateau. Equipé de pieds réglables.

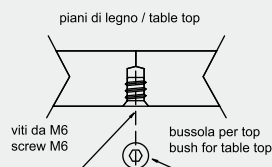
**Dimensions des plateaux:** Min. 120x70 / Max. 180x90 cm



**IMPORTANTE:**  
Inserire nel top delle bussola in metallo.

**IMPORTANT:**  
Metal insert in the tops.

**IMPORTANT**  
Inserts dans le plateau.



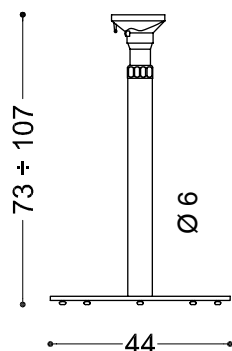
**Materiali & Finiture**  
(Finiture pagina 144)  
Acciaio: Verniciato,

**Material & Finishing**  
(Finishes page 144)  
Steel: Painted

**Material et Finissage**  
(Finissage page 144)  
Acier: Laqué

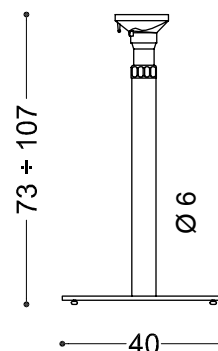
# FLEXO.U&D.1

## BT133.073L



# FLEXO.U&D.2

## BT135.073L



Struttura in acciaio. Basamento tondo Ø 440 mm, colonna Ø 60 mm completa di meccanismo di ribaltamento del piano. Dotato di sistema UP&DOWN (Pag. XXX) per la regolazione dell'altezza in 15 posizioni. La struttura è dotata di piedini regolabili.

**Dimensioni dei piani:** Massimo 700x700 / Ø 700 mm

Steel frame. Round base Ø 440 mm, column Ø 60 mm with mechanism to open & fold table top. Equipped with a system UP&DOWN (Page XXX) for height adjustment in 15 positions and adjustable feet.

**Top size:** Maximum 700x700 / Ø 700 mm

Pied rabattable métallique. Base ronde plate Ø 440 mm, colonne Ø 60 mm avec mécanisme d'ouverture et fermeture du plateau. Equipée de système UP&DOWN (Page XXX) de réglage hauteur en 15 positions et de pieds réglables.

**Dimensions des plateaux:** Maximum 700x700 / Ø 700 mm

Struttura in acciaio. Basamento quadro 400x400 mm, colonna Ø 60 mm completa di meccanismo di ribaltamento del piano. Dotato di sistema UP&DOWN (Pag. XXX) per la regolazione dell'altezza in 15 posizioni. La struttura è dotata di piedini regolabili.

**Dimensioni dei piani:** Massimo 700x700 / Ø 700 mm

Steel frame. Square base 400x400 mm, column Ø 60 mm with mechanism to open & fold table top. Equipped with a system UP&DOWN (Page XXX) for height adjustment in 15 positions and adjustable feet.

**Top size:** Maximum 700x700 / Ø 700 mm

Pied rabattable métallique. Base plate carrée 400x400 mm, colonne Ø 60 mm avec mécanisme d'ouverture et fermeture du plateau. Equipée de système UP&DOWN (Page XXX) de réglage hauteur en 15 positions et de pieds réglables.

**Dimensions des plateaux:** Maximum 700x700 / Ø 700 mm

**IMPORTANTE:**

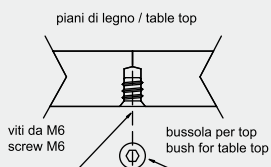
Per un miglior ancoraggio al piano consigliamo di inserire nel top delle bussole in metallo.

**IMPORTANT:**

To have a frame better fixing we suggest metal insert in the tops.

**IMPORTANT**

Pour une meilleure fixation du piétement, prévoir des inserts dans le plateau.



**Materiali & Finiture**

Acciaio: Cromato

**Material & Finishing**

Steel: Chrome plated

**Material et Finissage**

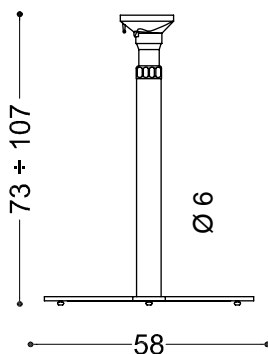
Acier: Chromé





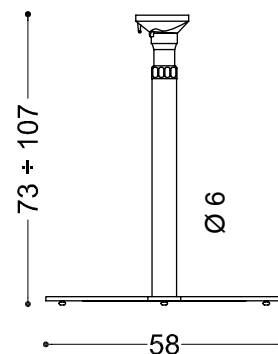
# FLEXO.U&D.3

## BT137.073L



# FLEXO.U&D.4

## BT138.073L



Struttura in acciaio. Basamento PETAL 3 Ø 580 mm, colonna Ø 60 mm completa di meccanismo di ribaltamento del piano. Dotato di sistema UP&DOWN (Pag. XXX) per la regolazione dell'altezza in 15 posizioni. La struttura è dotata di piedini regolabili.

**Dimensioni dei piani:** Massimo Ø 700 mm

Steel frame. PETAL 3 base Ø 580 mm, column Ø 60 mm with mechanism to open & fold table top. Equipped with a system UP&DOWN (Page XXX) for height adjustment in 15 positions and adjustable feet.

**Top size:** Maximum Ø 700 mm

Pied rabattable métallique. Base PETAL 3 Ø 580 mm, colonne Ø 60 mm avec mécanisme d'ouverture et fermeture du plateau. Equipée de système UP&DOWN (Page XXX) de réglage hauteur en 15 positions et de pieds réglables.

**Dimensions des plateaux:** Maximum Ø 700 mm

Struttura in acciaio. Basamento PETAL 4 Ø 580 mm, colonna Ø 60 mm completa di meccanismo di ribaltamento del piano. Dotato di sistema UP&DOWN (Pag. XXX) per la regolazione dell'altezza in 15 posizioni. La struttura è dotata di piedini regolabili.

**Dimensioni dei piani:** Massimo 700x700 / Ø 700 mm

Steel frame. PETAL 4 base Ø 580 mm, column Ø 60 mm with mechanism to open & fold table top. Equipped with a system UP&DOWN (Page XXX) for height adjustment in 15 positions and adjustable feet.

**Top size:** Maximum 700x700 / Ø 700 mm

Pied rabattable métallique. Base PETAL 4 Ø 580 mm, colonne Ø 60 mm avec mécanisme d'ouverture et fermeture du plateau. Equipée de système UP&DOWN (Page XXX) de réglage hauteur en 15 positions et de pieds réglables.

**Dimensions des plateaux:** Maximum 700x700 / Ø 700 mm

#### IMPORTANTE:

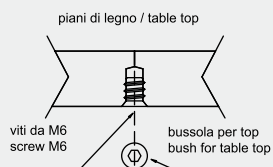
Per un miglior ancoraggio al piano consigliamo di inserire nel top delle bussole in metallo.

#### IMPORTANT:

To have a frame better fixing we suggest metal insert in the tops.

#### IMPORTANT

Pour une meilleure fixation du piétement, prévoir des inserts dans le plateau.



#### Materiali & Finiture

Acciaio: Cromato

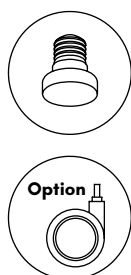
#### Material & Finishing

Steel: Chrome plated

#### Material et Finissage

Acier: Chromé





Struttura fissa in metallo con base lineare per tavoli dotata di piedini regolabili. Disponibile con ruote.

**Dimensioni dei piani:** Min. 70x100 / Max. 90x180 cm

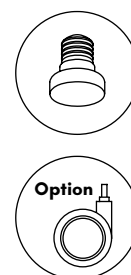
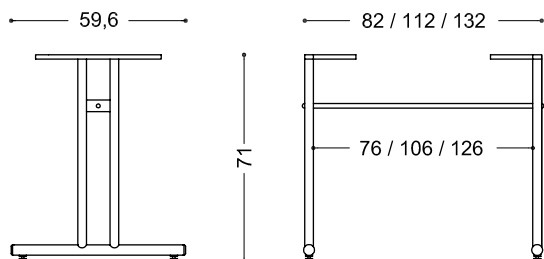
Steel fix frame with linear base. Adjustable feet included. Wheels available.

**Top size:** Min. 70x100 / Max. 90x180 cm

Structure fixe métallique composé de 2 pieds à base linéaire, reliés par une traverse. Equipé de pieds réglables. Disponible avec roues.

**Dimensions des plateaux:** Min. 70x100 / Max. 90x180 cm

**Similare / Similar / Similaire code:** Flexo 1 - K6023



Struttura fissa in metallo con base curva per tavoli dotata di piedini regolabili. Disponibile con ruote.

**Dimensioni dei piani:** Min. 70x100 / Max. 90x180 cm

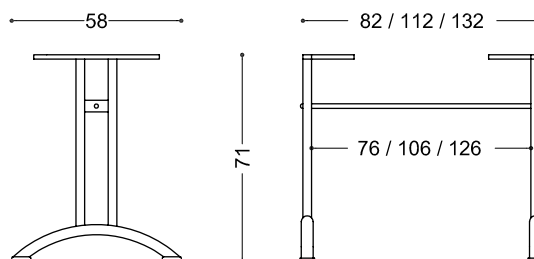
Steel fix frame with curved base. Adjustable feet included. Wheels available.

**Top size:** Min. 70x100 / Max. 90x180 cm

Structure fixe métallique composé de 2 pieds à base incurvée, reliés par une traverse. Equipé de pieds réglables. Disponible avec roues.

**Dimensions des plateaux:** Min. 70x100

**Similare / Similar / Similaire code:** Flexo 2 - K6027



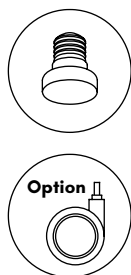
**Materiali & Finiture**  
(Finiture pagina 144)  
Acciaio:  
Cromato / Verniciato

**Material & Finishing**  
(Finishes page 144)  
Steel:  
Chrome / Painted

**Material et Finissage**  
(Finissage page 144)  
Acier:  
Chrome / Laqué

# FLEXO.FIX.7

## K6065



Struttura fissa in metallo con base curva per tavoli dotata di piedini regolabili. Disponibile con ruote.

**Dimensioni dei piani:** Min. 70x120 / Max. 90x180 cm

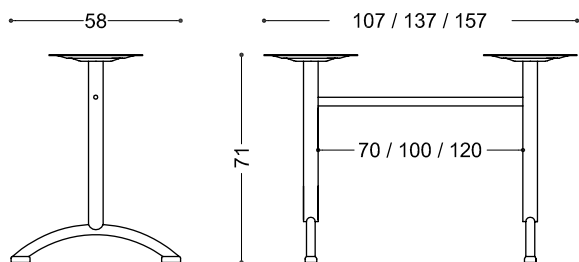
Steel fix frame with curved base. Adjustable feet included. Wheels available.

**Top size:** Min. 70x120 / Max. 90x180 cm

Structure fixe métallique composé de 2 pieds à base incurvée, reliés par une traverse. Equipé de pieds réglables. Disponible avec roulettes.

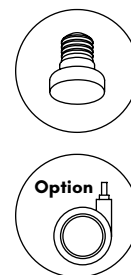
**Dimensions des plateaux:** Min. 70x120

**Similare / Similar / Similaire code:** Flexo 7 - K30934



# FLEXO.FIX.8

## K6066



Struttura fissa in metallo con base lineare per tavoli dotata di piedini regolabili. Disponibile con ruote.

**Dimensioni dei piani:** Min. 70x120 / Max. 90x180 cm

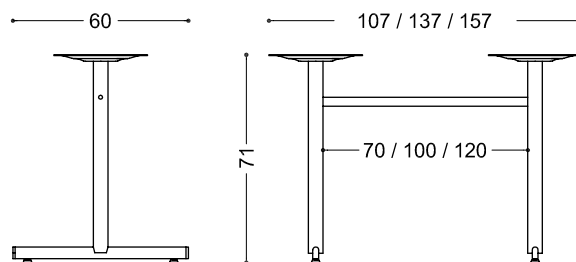
Steel fix frame with linear base. Adjustable feet included. Wheels available.

**Top size:** Min. 70x120 / Max. 90x180 cm

Structure fixe métallique composé de 2 pieds à base linéaire, reliés par une traverse. Equipé de pieds réglables. Disponible avec roulettes.

**Dimensions des plateaux:** Min. 70x120

**Similare / Similar / Similaire code:** Flexo 8 - K30932

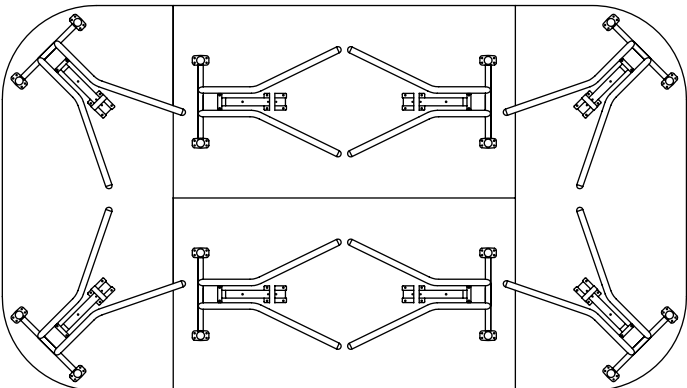
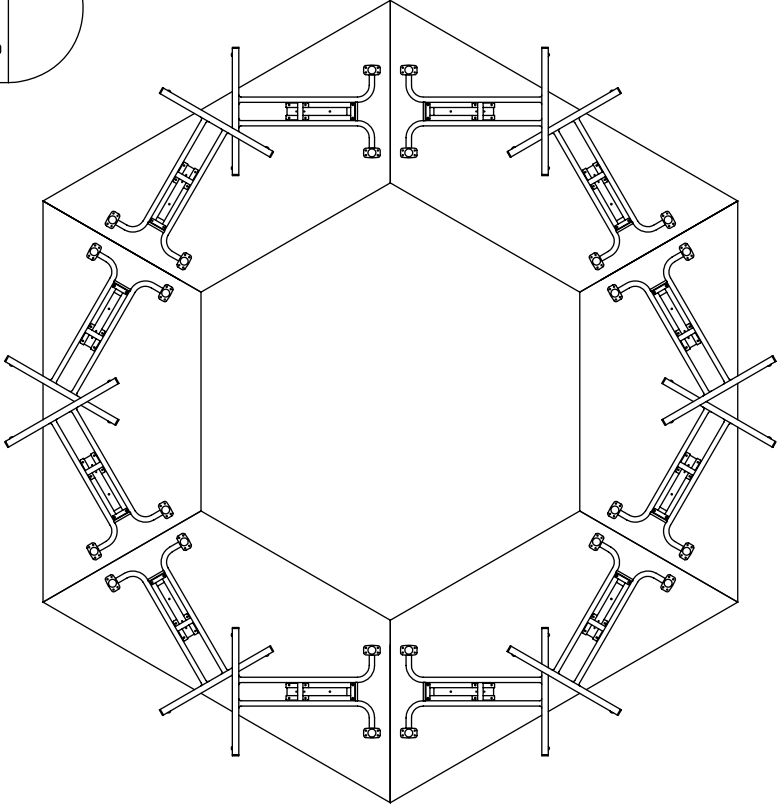
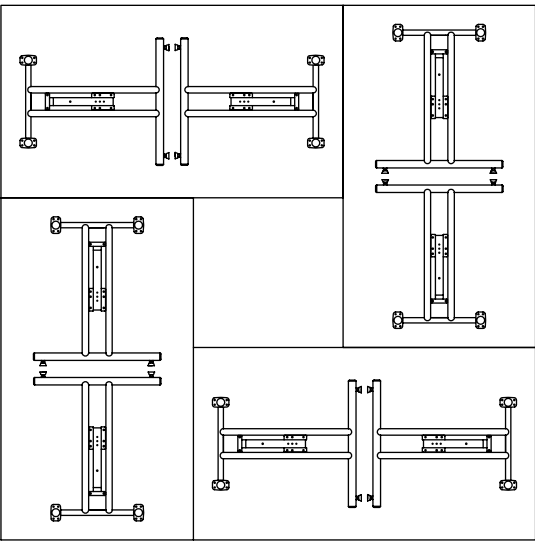
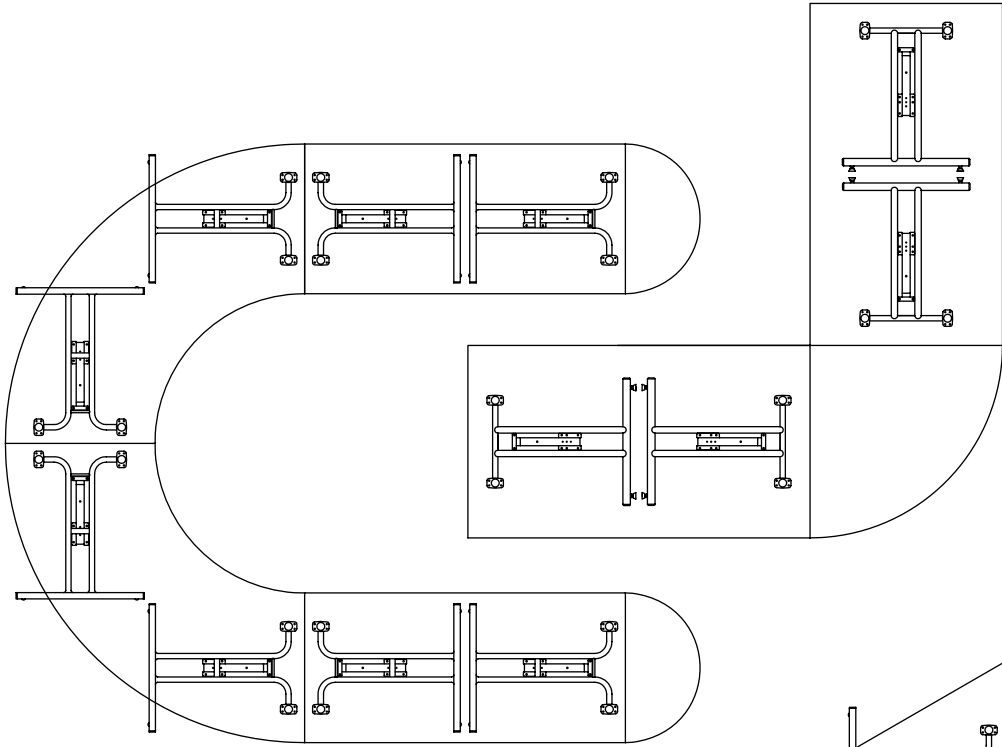


**Materiali & Finiture**  
(Finiture pagina 144)  
Acciaio:  
Cromato / Verniciato

**Material & Finishing**  
(Finishes page 144)  
Steel:  
Chrome / Painted

**Material et Finissage**  
(Finissage page 144)  
Acier:  
Chrome / Laqué

# FLEXO.system





# FLEXO.accessories

## SISTEMA DI PROLUNGHE

Il sistema tramite supporti e tubi permette l'affiancamento dei tavoli e la creazione di postazioni multifunzionali attraverso l'inserimento di prolunghe.

## EXTENSION SYSTEM

Extension top system. This set of accessories is suitable for connecting tables through top extensions.

## SYSTÈME D'EXTENSION

Le système par tubes et supports de plateaux permet la réalisation de compositions multifonctions grâce à des rallonges.



Supporti in plastica  
Plastic supports  
Supports plastique



Tubi Ø 28 mm  
Tubes Ø 28 mm  
Tubes Ø 28 mm



### GIUNTO PER TAVOLI / JOINT FOR TABLES/ COUPLAGE FOR TABLES

Giunto in plastica. Consente di unire e bloccare la posizione dei tavoli una volta che i piani sono affiancati tra loro.  
Plastic joint. Block the table position once the tops are placed side by side.  
Liaison en plastic. Assemble et verrouille la position des tables lorsque des plateaux sont assemblés.



### GIUNTO PER TAVOLI / JOINT FOR TABLES/ COUPLAGE FOR TABLES

Giunto in acciaio. Consente di unire e bloccare la posizione dei tavoli una volta che i piani sono affiancati tra loro.  
Steel joint. Block the table position once the tops are placed side by side.  
Liaison métallique. Assemble et verrouille la position des tables lorsque des plateaux sont assemblés.



### BARRE DI RINFORZO / REINFORCING BARS / BARRES DE RENFORT

Barre in acciaio di rinforzo per fissaggio sotto il piano.  
Reinforcing steel bars for table tops.  
Les barres d'armature en acier pour le montage sous le plateau.



FLEXO 8 - Chrome plated



# FLEXO.trolley

## square.trolley



Carrello in acciaio smontabile per trasporto tavoli con piani rettangolari e basamento flexo. Dotato di ruote girevoli ad alta resistenza e spalle smontabili.

Removable steel trolley for table transport for rectangular shape tables. Equipped with high resistance wheels and removable handles.

Panier- amovible en acier pour tables de transport avec une plateau rectangulaire et base flexo. Equipé de roues pivotantes à haute résistance et à l'épaule amovible.

Con pannello per appoggio  
With panel to support  
Avec panneau pour soutenir

Con ruote ad alta resistenza  
High resistance wheels  
Roues à haute résistance



## round.trolley



### IMPORTANTE

I carrelli sono prodotti su misura a secondo della tipologia e dimensione dei tavoli che devono supportare.

### IMPORTANT

The trolleys are custom built according to the type and size of the tables that must support.

### IMPORTANT

Les chariots sont fabriqués sur mesure en fonction du type et de la taille des tables qui doivent prendre en charge.

Smontabile  
Removable  
Amovible

Carrello in acciaio smontabile per trasporto tavoli tondi con basamento flexo e piani quadrati o rettangolari. Dotato di ruote girevoli ad alta resistenza e spalle smontabili.

Removable steel trolley for table transport for round shape tables. Equipped with high resistance wheels and removable handles.

Panier amovible en acier pour transport tables de et rond avec rond plateau et la base flexo. Equipé de roues pivotantes à haute résistance et à l'épaule amovible.

Con bordo in gomma protettivo  
With rubber edge protection  
Avec protection des bords en plastique

Con ruote ad alta resistenza  
High resistance wheels  
Roues à haute résistance







# TAVOLI.

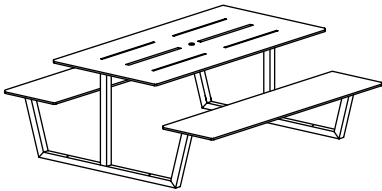
## TABLES.



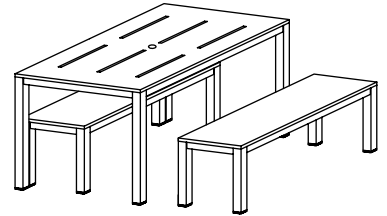
# TAVOLI. TABLES.

## tavoli con panche / tables with benches

114.  
MONDRIAN

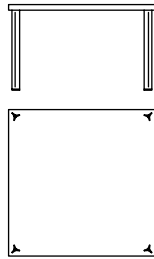


118.  
MATIAS

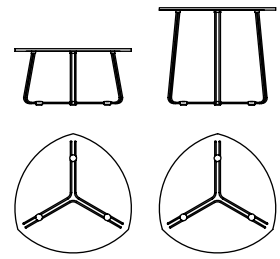


## fissi / fix table

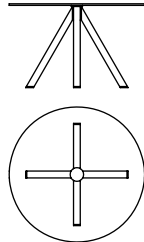
122.  
SUPERSTAR



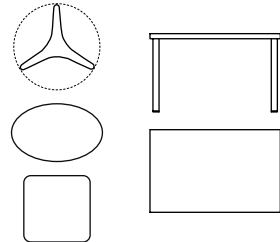
124.  
DOPPIOFILO



127.  
PRISMA

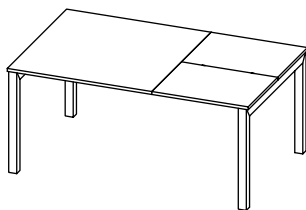


130.  
COOPERA TABLES

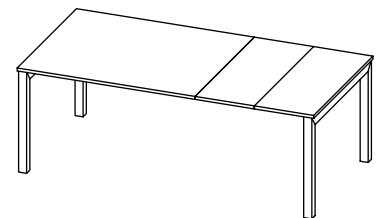


## allungabili / extendible

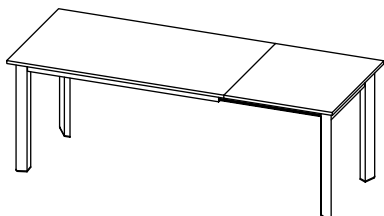
134.  
DINAMIC 1



137.  
DINAMIC 2



141.  
DIEDRO



# MONDRIAN.

MADE IN ITALY

Design Studio Corbetta Salvatore







## MONDRIAN.

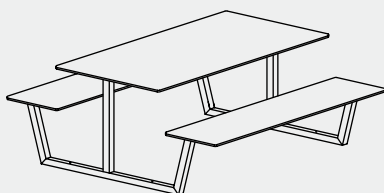
Tavoli con sedute integrate per uso interno ed esterno. Con puntali fissi in plastica o predisposto per il fissaggio a terra/pavimento.

Tables with seating integrated for indoor and outdoor use. With fix plastic plugs or with predisposition to floor fixing.

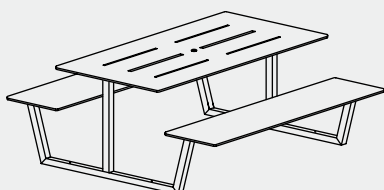
Tables avec des sièges construits pour une utilisation intérieure et extérieure. Equipée de pieds en plastique fixes ou avec la préparation pour le montage au sol.



### BT.600.LM.AV



### BT.600.HP.XV



## .collection

**ACCIAIO. STEEL. ACIER.**  
Verniciato. Painted. Laqué.  
Colori. Colors. Couleurs. 144

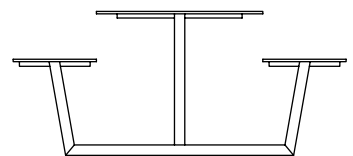
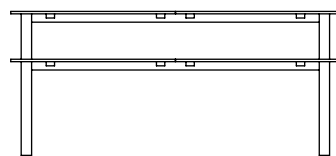
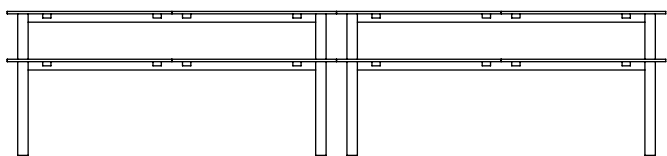
**LAMINATO. LAMINATE. STRATIFIE.** 24 mm  
Bordo. Edge. Bord. ABS  
Colori. Colors. Couleurs. 148

H. 46/72 cm  
**Top.** 80x120 cm - **Bench.** 40x120 cm - **TOT.** 160x120 cm  
**Top.** 80x140 cm - **Bench.** 40x140 cm - **TOT.** 160x140 cm  
**Top.** 80x160 cm - **Bench.** 40x160 cm - **TOT.** 160x160 cm  
**Top.** 80x180 cm - **Bench.** 40x180 cm - **TOT.** 160x180 cm

**ACCIAIO INOX. STAINLESS STEEL. ACIER INOX.**  
Verniciato. Painted. Laqué.  
Colori. Colors. Couleurs. 144

**HPL. HPL. HPL.** 12 mm  
Colori. Colors. Couleurs. 150

H. 45/71 cm  
**Top.** 80x120 cm - **Bench.** 40x120 cm - **TOT.** 160x120 cm  
**Top.** 80x140 cm - **Bench.** 40x140 cm - **TOT.** 160x140 cm  
**Top.** 80x160 cm - **Bench.** 40x160 cm - **TOT.** 160x160 cm  
**Top.** 80x180 cm - **Bench.** 40x180 cm - **TOT.** 160x180 cm



Versione con piani in HPL: Fessura centrale sul piano per l'appoggio di smartphone e tablet. Foro centrale 38 mm per ombrellone  
 HPL tops version: Central slot on the plane for the support of smartphones and tablets. 38 mm center hole for umbrella.  
 HPL plateaux version: Fente centrale sur le plan pour le soutien des smartphones et tablettes. 38 mm trou centre de parasol.

Fissaggio a terra/pavimento.  
 Predisposition to floor fixing.  
 Préparation pour le montage au sol.

Fori per il drenaggio dell'acqua.  
 Holes for water drainage.  
 Trous pour le drainage de l'eau.



# MATIAS.

MADE IN ITALY

Design Studio Corbetta Salvatore









## MATIAS.

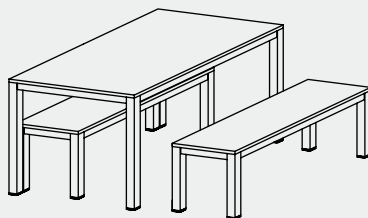
Tavoli con panche per uso interno ed esterno.  
Con regolabili.

Tables with benches for indoor and outdoor use.  
With adjustable feet.

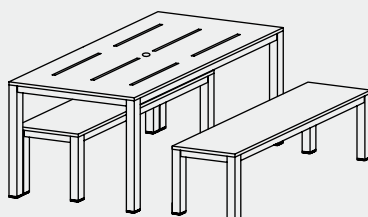
Tables avec bancs construits pour une utilisation intérieure et extérieure. Avec réglables.



### BT.601.LM.AV



### BT.601.HP.XV



**ACCIAIO. STEEL. ACIER.**  
Verniciato. Painted. Laqué.  
Colori. Colors. Couleurs. 144

**LAMINATO. LAMINATE. STRATIFIE.** 24 mm  
Bordo. Edge. Bord. ABS  
Colori. Colors. Couleurs. 148

H. 74/42 cm  
**Top.** 80x120 cm - **Bench.** 40x105 cm  
**Top.** 80x140 cm - **Bench.** 40x125 cm  
**Top.** 80x160 cm - **Bench.** 40x145 cm  
**Top.** 80x180 cm - **Bench.** 40x165 cm

**ACCIAIO INOX. STAINLESS STEEL. ACIER INOX.**  
Verniciato. Painted. Laqué.  
Colori. Colors. Couleurs. 144

**HPL. HPL. HPL.** 12 mm  
Colori. Colors. Couleurs. 150

H. 72/40 cm  
**Top.** 80x120 cm - **Bench.** 40x105 cm  
**Top.** 80x140 cm - **Bench.** 40x125 cm  
**Top.** 80x160 cm - **Bench.** 40x145 cm  
**Top.** 80x180 cm - **Bench.** 40x165 cm

.collection



# SUPERSTAR.

Design Renzo & Graziella Fuciglietti

MADE IN ITALY





## SUPERSTAR.

.collection

### Base tavolo

Gambe Star in alluminio lucido.

### Table base

Bright brushed aluminium Star legs.

### Pied de table

Pied Star en aluminium poli.



### Piano tavolo

Laminato spessore 50 mm con stelline in alluminio incassate e bordo ABS. Dimensioni: mm  
900x900 - 1300x1300  
800x1600 - 900x1800  
(Colori disponibili pagina 148)

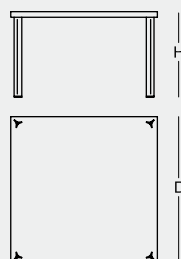
### Table top

Laminate 50 mm thickness with aluminium Stars inside and ABS edge. Size: mm  
900x900 - 1300x1300  
800x1600 - 900x1800  
(Available colors page 148)

### Plateau de table

Stratifié épaisseur 50 mm avec Star d'aluminium inclus et ABS bord. Size: mm  
900x900 - 1300x1300  
800x1600 - 900x1800  
(Couleurs disponibles p. 148)

## BT.501



H. 73 cm  
Top 90x90/80x160/90x180/130x130 cm

# DOPPIOFILO.

MADE IN ITALY

Design Renzo & Graziella Fuciglietti





CHAIRS. FILOMORBIDO

## DOPPIOFILO.

.collection

### Base tavolo

Base in tubo d'acciaio.  
Finiture: Cromo

### Table base

Steel tube frame.  
Finish: Chrome plated

### Table base

Structure en tube d'acier.  
Finitions: Chrome

### Piano tavolo

Laminato vaso/botte spessore  
30 mm con bordo ABS.  
Dimensioni: mm Ø 900  
Colori disponibili:  
Bianco - Nero

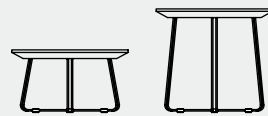
### Table top

Laminate vase/barrel 30 mm  
thickness with ABS edge.  
Size: mm Ø 900  
Available colors: White - Black

### Plateau de table

Stratifié tonneau/boite épaisseur  
30 mm avec ABS bord.  
Size: mm Ø 900  
Couleurs: Blanc - Noir

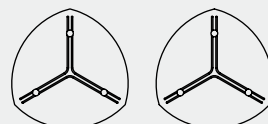
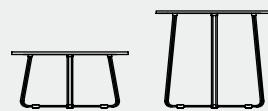
## BT.508



H

D

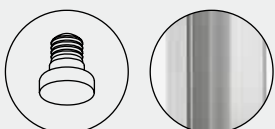
LAMINATE TOP  
H. 40/73 cm  
Top Ø 90 cm



H

D

GLASS SATIN TOP  
H. 40/73 cm  
Top Ø 90 cm







# PRISMA.

Design Renzo & Graziella Fauciglietti

MADE IN ITALY





CHAIRS. PRESTIGE

## PRISMA.

.collection

### Base tavolo

Base in tubo d'acciaio.  
Finiture: Cromo / Verniciato  
(Colori disponibili pagina 144)

### Table base

Steel tube frame.  
Finish: Chrome plated / Painted  
(Available colors page 144)

### Table base

Structure en tube d'acier.  
Finitions: Chrome / Laqué  
(Finissage page 144)

### Piano tavolo

Piano in cristallo temprato  
trasparente spessore 12 mm.  
Dimensioni: mm Ø 1200

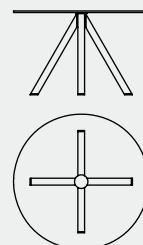
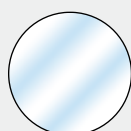
### Table top

Top in tempered glass 12 mm  
thickness. Transparent.  
Size: mm Ø 1200

### Plateau de table

Plateau en verre transparent  
trempé épaisseur 12 mm.  
Size: mm Ø 1200

## BT.510



**H.** 72 cm  
**Top** Ø 120 cm



# COOPERA.tables

MADE IN ITALY

Design Renzo & Graziella Fuciglietti





CHAIRS. MARTE





BT.504

**TAVOLO**

Gambe Star in alluminio.  
Piano in laminato spessore 30 mm bordo ABS  
o in vetro temprato spessore 12 mm.

**TABLE**

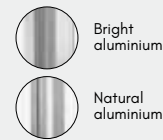
Alluminium Star legs.  
Top in laminate 30 mm thickness with ABS  
edge or in tempered glass 12 mm thickness.

**TABLES**

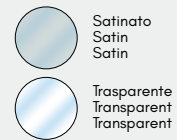
Pied Star in aluminium.  
Plateau en stratifié épaisseur 30 mm avec  
bord ABS or en verre trempé épaisseur 12 mm.



**Legs finishes**



**Glass top finishes**

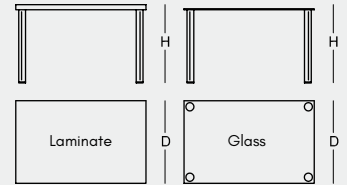


**Laminate top finishes**

Laminati / Laminate / Stratifié page XXX

**H.** 74/72 cm

**Top** 90x90 cm  
80x160 cm  
90x180 cm  
130x130 cm



BT.505

**TAVOLO**

Gambe Elliptic in alluminio.  
Piano in laminato spessore 30 mm bordo ABS  
o in vetro temprato spessore 12 mm.

**TABLE**

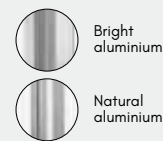
Alluminium Elliptic legs.  
Top in laminate 30 mm thickness with ABS  
edge or in tempered glass 12 mm thickness.

**TABLES**

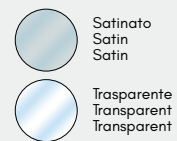
Pied Elliptic in aluminium.  
Plateau stratifié épaisseur 30 mm avec bord  
ABS or en verre trempé épaisseur 12 mm.



**Legs finishes**



**Glass top finishes**

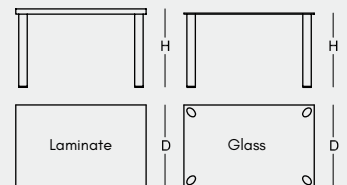


**Laminate top finishes**

Laminati / Laminate / Stratifié page XXX

**H.** 74/72 cm

**Top** 90x90 cm  
80x160 cm  
90x180 cm  
130x130 cm



BT.506

**TAVOLO**

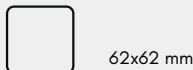
Gambe Square in alluminio.  
Piano in laminato spessore 30 mm bordo ABS  
o in vetro temprato spessore 12 mm.

**TABLE**

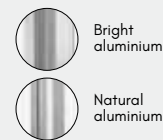
Alluminium Square legs.  
Top in laminate 30 mm thickness with ABS  
edge or in tempered glass 12 mm thickness.

**TABLES**

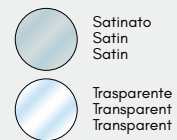
Pied Square in aluminium.  
Plateau en stratifié épaisseur 30 mm avec  
bord ABS or en verre trempé épaisseur 12 mm.



**Legs finishes**



**Glass top finishes**

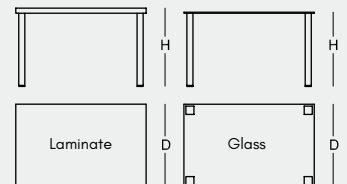


**Laminate top finishes**

Laminati / Laminate / Stratifié page XXX

**H.** 74/72 cm

**Top** 90x90 cm  
80x160 cm  
90x180 cm  
130x130 cm



# DINAMIC.1

Allungabile / Extendible

MADE IN ITALY

Design Studio Corbetta Salvatore





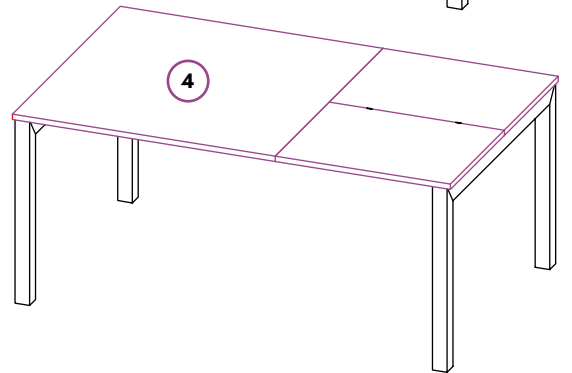
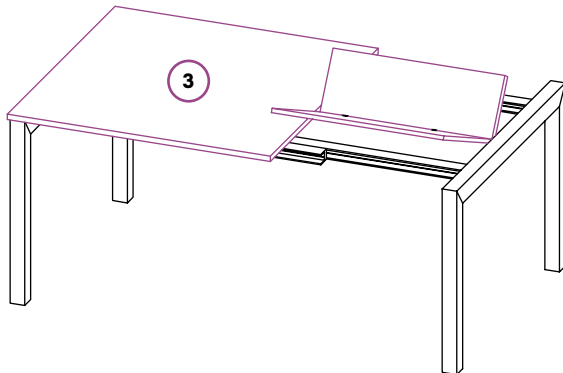
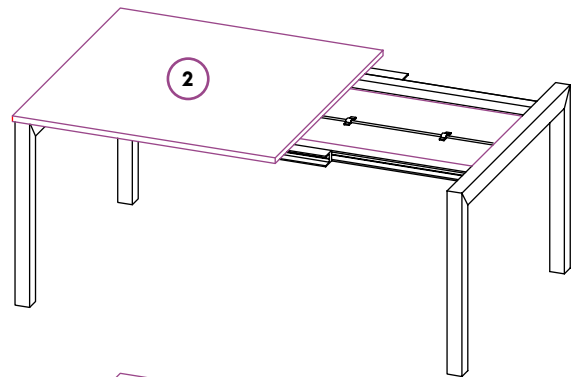
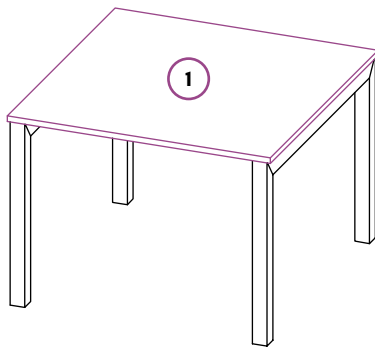


Il tavolo DINAMIC-1 è caratterizzato da un design lineare ed elegante, adattabile ad ogni ambiente della casa. La struttura in alluminio ed i piani sono disponibili in diverse finiture e colorazioni.

The table DINAMIC-1 have a linear and elegant design, suitable for any room in the house. The aluminum frame and the tops are available in various finishes and colors .

Le table DINAMIC-1 dispose d'un design élégant et attrayant, adapté à toutes les pièces de la maison. Le pied en aluminium et le plateau sont disponibles en différentes finitions et couleurs.

- 1 Tavolo chiuso / Table close
- 2 Allungare la guida del tavolo / Lengthen the rail of the table
- 3 Ruotare la prolunga e posizionarla / Rotate and position the extension
- 4 Posizionare la spalla e stringere il fermo / Position the farne and close the lock



## DINAMIC.1

### Base tavolo

Struttura in alluminio.  
Finiture: Anodizzato naturale o Verniciato (Colori pagina 144)

### Table base

Aluminium frame.  
Finish: Natural anodised aluminium or painted (Available colors page 144)

### Table base

Structure en aluminium.  
Finitions: Natural aluminium ou Laqué (Finissage page 144)

### Piano tavolo

Melaminico bordo ABS.  
Laminato bordo ABS.  
Spessore 20 mm.  
(Colori pagina 147/148)

### Table top

Melamine with ABS edge.  
Laminate with ABS edge.  
Thickness 20 mm.  
(Colors page 147-148)

### Plateau de table

Melamine avec ABS bord.  
Stratifié avec ABS bord.  
Epaisseur 20 mm.  
(Couleurs page 147-148)

### IMPORTANTE / IMPORTANT

Il colore della prolunga è sempre uguale al piano (Faccia superiore)  
The color of the extension is always the same as the top (Upper side)  
L'extension de le plateau est toujours égale à l'extension (Côté supérieur)

## BT.610.80145

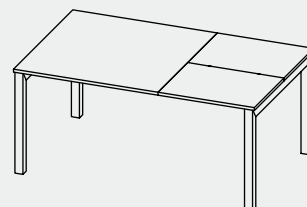
Profilo della gamba  
Table legs shape  
Section de pied



H. 76 cm

**Chiuso - Close - Ferme.** 80x80 cm

**Aperto - Open - Ouvert .** 80x145 cm



.collection

# DINAMIC.2

Allungabile / Extendible

MADE IN ITALY

Design Studio Corbetta Salvatore



Tavolo con prolunga singola  
Table with single extend



CHAIRS. CELINE

**DINAMIC.2**



Tavolo con prolunga doppia  
Double extension table



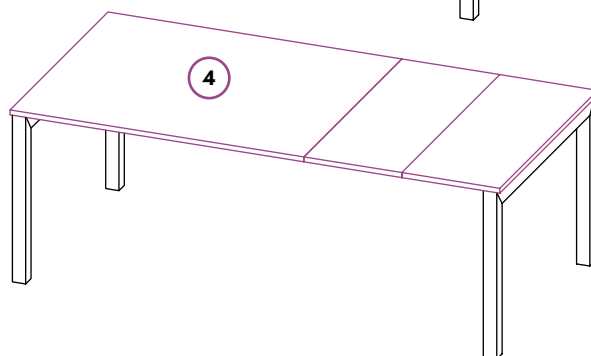
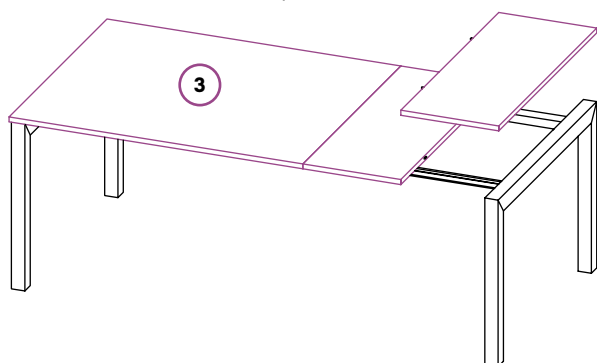
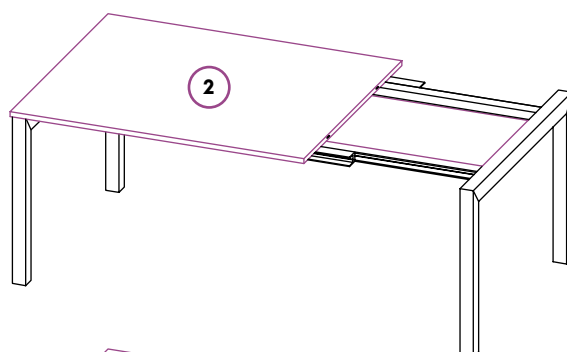
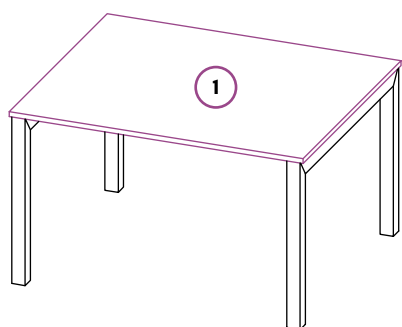
CHAIRS. FIFTY

I tavoli della linea DINAMIC-2 sono caratterizzati da un design lineare ed elegante, adattabile ad ogni ambiente della casa. Sono disponibili in due misure con la possibilità di allungo singola o doppia a secondo delle necessità e spazi del cliente. La struttura in alluminio ed i piani sono disponibili in diverse finiture e colorazioni.

The tables of DINAMIC-2 line have a linear and elegant design, suitable for any room in the house. They are available in two sizes with the ability to extend them with one or two extend according to the needs and spaces of the customer. The aluminum frame and the tops are available in various finishes and colors.

Le table DINAMIC-2 dispose d'un design élégant et attrayant, adapté à toutes les pièces de la maison. Le pied en aluminium et le plateau sont disponibles en différentes finitions et couleurs.

- 1 Tavolo chiuso / Table close
- 2 Allungare la guida del tavolo / Lengthen the rail of the table
- 3 Estrarre ed inserire le prolughe / Pull out and insert the extensions
- 4 Posizionare la spalla e stringere il fermo / Position the farne and close the lock



## DINAMIC.2

### Base tavolo

Struttura in alluminio.  
Finiture: Anodizzato naturale o Verniciato (Colori pagina 144)

### Table base

Aluminium frame.  
Finish: Natural anodised aluminium or painted (Available colors page 144)

### Table base

Structure en aluminium.  
Finitions: Natural aluminium ou Laqué (Finissage page 144)

### Piano tavolo

Melaminico bordo ABS.  
Laminato bordo ABS.  
Spessore 20 mm.  
(Colori pagina 147-148)

### Table top

Melamine with ABS edge.  
Laminate with ABS edge.  
Thickness 20 mm.  
(Colors page 147-148)

### Plateau de table

Melamine avec ABS bord.  
Stratifié avec ABS bord.  
Epaisseur 20 mm.  
(Couleurs page 147-148)

### IMPORTANTE / IMPORTANT

Il colore della prolunga è sempre uguale al piano  
The color of the extension is always the same as the top  
L'extension de le plateau est toujours égale à l'extension

### BT.611.80160

**Chiuso - Close.** 80x120 cm  
**Aperto - Open.** 80x160 cm  
N° 1 Prolunga - Extend

H. 76 cm

Profilo della gamba  
Table legs shape  
Section de pied



### BT.611.80200

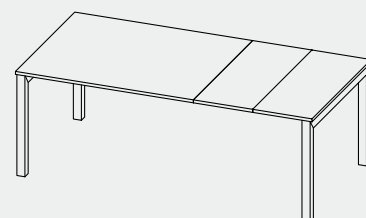
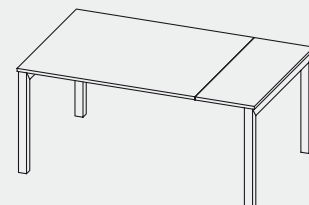
**Chiuso - Close.** 80x120 cm  
**Aperto - Open.** 80x200 cm  
N° 2 Prolunghe - Extends

### BT.612.80180

**Chiuso - Close.** 80x140 cm  
**Aperto - Open.** 80x180 cm  
N° 1 Prolunga - Extend

### BT.612.80220

**Chiuso - Close.** 80x140 cm  
**Aperto - Open.** 80x220 cm  
N° 2 Prolunghe - Extends



# DIEDRO.

Allungabile / Extendible

MADE IN ITALY

Design Studio Corbetta Salvatore



Blocchi anti-slittamento  
Anti-slippery blocks





CHAIRS. AFRODITE

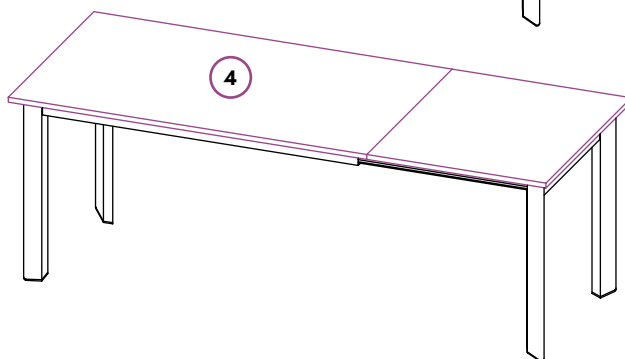
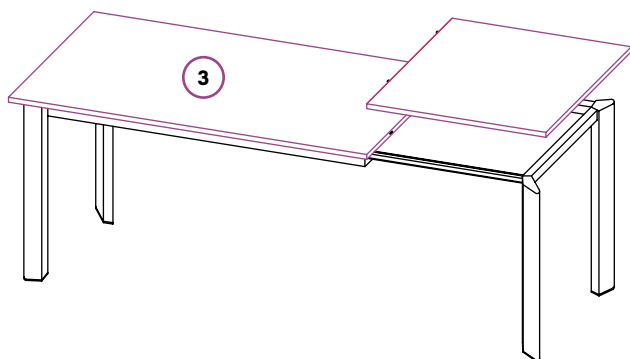
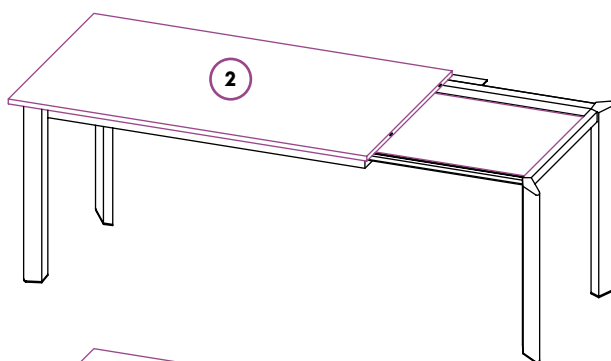
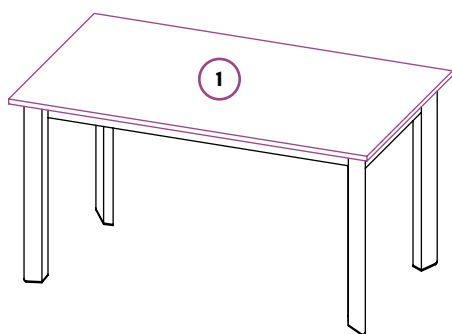


I tavoli della linea DIEDRO sono caratterizzati da un design lineare ed elegante, adattabile ad ogni ambiente della casa.

The tables of DIEDRO line have a linear and elegant design, suitable for any room in the house .

Le table DIEDRO dispose d'un design élégant et attrayant, adapté à toutes les pièces de la maison.

- 1 Tavolo chiuso / Table close
- 2 Allungare la guida del tavolo / Lengthen the rail of the table
- 3 Estrarre ed inserire le prolughe / Pull out and insert the extensions
- 4 Posizionare la spalla e stringere il fermo / Position the farne and close the lock



## DIEDRO.

### Base tavolo

Struttura in alluminio.  
Finiture: Anodizzato naturale

### Table base

Aluminium frame.  
Finish: Natural anodised

### Table base

Structure en aluminium.  
Finitions: Natural aluminium

### Piano tavolo

Melaminico bordo ABS.  
Laminato bordo ABS.  
Spessore 20 mm.  
(Colori pagina 147-148)

### Table top

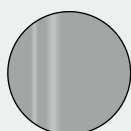
Melamine with ABS edge.  
Laminate with ABS edge.  
Thickness 20 mm.  
(Colors page 147-148)

### Plateau de table

Melamine avec ABS bord.  
Stratifié avec ABS bord.  
Epaisseur 20 mm.  
(Couleurs page 147-148)

### IMPORTANTE / IMPORTANT

Il colore della prolunga è sempre uguale al piano  
The color of the extension is always the same as the top  
L'extension de le plateau est toujours égale à l'extension



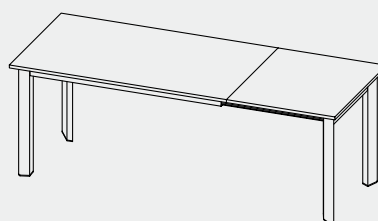
.collection

### BT.613.85185

Chiuso - Close. 85x125 cm  
Aperto - Open. 85x185 cm

### BT.614.85205

Chiuso - Close. 85x145 cm  
Aperto - Open. 85x205 cm



H. 76 cm

Profilo della gamba  
Table legs shape  
Section de pied

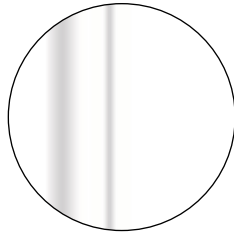


Tutti i colori dei materiali e delle finiture illustrate hanno solo valore indicativo in quanto soggetti alle tolleranze dei processi di stampa. Colors of materials and finishes are indicative as they are depending on the tolerances of the printing process.

**ACCIAIO VERNICIATO / PAINTED STEEL / ACIER LAQUE'**



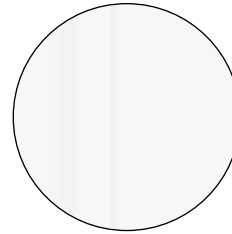
01.  
Cromo  
Chrome plated  
Chrome



02. RAL9003  
Bianco  
White  
Blanc



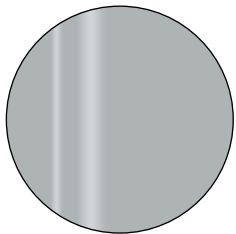
03. RAL9005  
Nero  
Black  
Noir



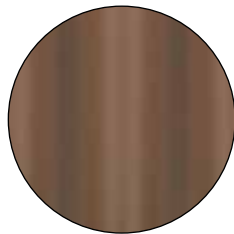
2D. RAL9010  
Bianco opaco  
White matt  
Blanc mat



3D.  
Nero opaco  
Black matt  
Noir mat



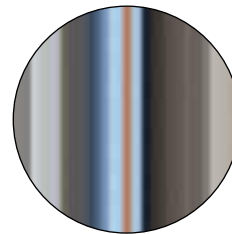
09. RAL9006  
Alluminio  
Aluminium  
Aluminium



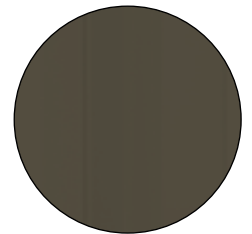
23.  
Corten  
Corten  
Corten



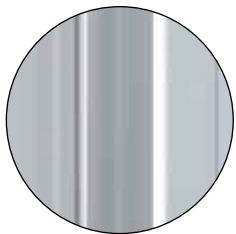
28.  
Grafite  
Graphite  
Graphite



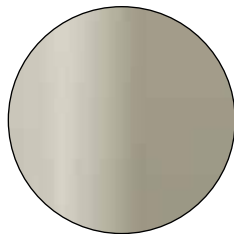
33.  
Trasparente (Grezzo)  
Transparent (Raw)  
Transparent (Brut)



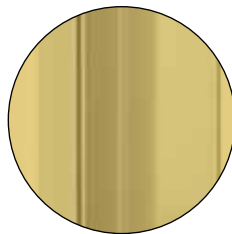
45. RAL7022  
Grigio umbro  
Grey umbro  
Gris umbro



46.  
Lucente  
Lucent  
Lucent



53.  
Champagne  
Champagne  
Champagne



07.  
Ottonato  
Brass  
Or

Acciaio verniciato a polveri semilucida o opaca. Pulire se necessario con un panno morbido o una spazzola con un detergente delicato. Evitare la pulizia a vapore, detersivi abrasivi e detersivi contenenti cloro.

Fine-textured powder coated steel with semilucid or matt look. Clean as needed using a soft cloth with a mild detergent. Avoid steam cleaning, abrasive cleansers, and cleaners containing chlorine.

**ACCIAIO INOX / STAINLESS STEEL / ACIER INOX**



XS.  
Inox satinato  
Inox brossé  
Inox satiné



XL.  
Inox lucido  
Inox brilliant  
Inox poli

Pulire se necessario con un panno morbido o una spazzola con un detergente delicato. Evitare la pulizia a vapore, detersivi abrasivi e detersivi contenenti cloro.

Clean as needed using a soft cloth with a mild detergent. Avoid steam cleaning, abrasive cleansers, and cleaners containing chlorine.

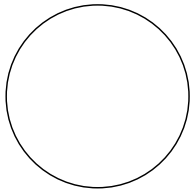


# PIANI TAVOLO. TABLE TOPS.

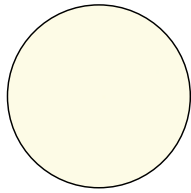
MELAMINICO / MELAMINE / MELAMINE  
LAMINATO / LAMINATE / STRATIFIE  
LAMINATO HPL / HPL LAMINATE / STRATIFIE HPL  
LAMINATO "VASO" / "VASO" LAMINATE / STRATIFIE "VASO"  
VETRO / GLASS / VERRE  
BORDI / EDGE / BORD

## 20. 25. mm

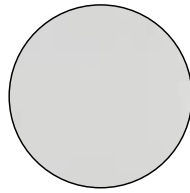
Tutti i colori dei materiali e delle finiture illustrate hanno solo valore indicativo in quanto soggetti alle tolleranze dei processi di stampa. Colors of materials and finishes are indicative as they are depending on the tolerances of the printing process.



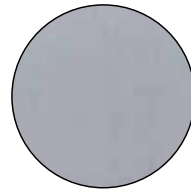
Bianco  
White



Magnolia  
Beige



Grigio chiaro  
Light grey



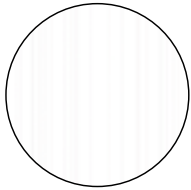
Alluminio  
Aluminium



Nero  
Black



Vintage 6300  
Vintage 6300



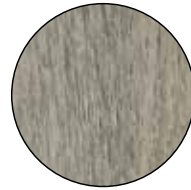
Bianco larix  
Larix white



Rovere sbiancato  
Whitened oak  
1014



Rovere naturale  
Natural oak  
1001



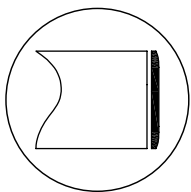
Rovere grigio medio  
Gray oak medium  
7006



Olmo grigio scuro  
Dark grey elm  
7022



Olmo tinto  
Painted elm  
8028

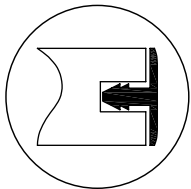


### ABS

Bordo. Edge. Bord

Spessore / Thickness / Epaisseur

**20. 25. mm**



### PVC NERO. BLACK. NOIR.

Bordo. Edge. Bord

Spessore / Thickness / Epaisseur

**25. mm**

La pulizia dipende dalla macchia/sporco, ci sono diversi metodi:

LEGGERO = panno di carta, straccio o spugna asciutto o umido

NORMALE = con un panno o una spazzola morbida in nylon, sapone delicato o detersivo liquido.

FORTE = Per macchie dovute a lunga esposizione a tea, caffè, ecc. usare sgrassatore domestico

**IMPORTANTE:** Non tagliare o tritare direttamente sulla superficie. Evitare detersivi abrasivi, agenti corrosivi o aggressivi. Non devono essere posizionati sulla superficie bollitori, macchine da caffè, friggitorici e altri oggetti caldi o bagnati. Non usare il piano vicino a fonti di calore (per esempio calorifero). Il bordo potrebbe danneggiarsi. Colori molto scuri (come il nero) rendono le macchie maggiormente visibili.

Maintenance depending on the stains/dirt, there are different prescriptions:

LIGHT: dry or damp paper towels, a cloth or sponge.

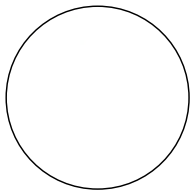
NORMAL: with a cloth or soft nylon brush, soft soap or washing-up liquid.

HEAVY: Discoloration stains through long exposure to tea, coffee, etc. use home degrease cleaning.

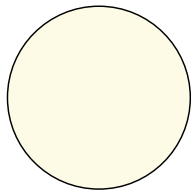
**IMPORTANT:** Please do not cut or chop directly on the worktop surface. Avoid abrasive cleaners, corrosive or aggressive cleaning agents. Kettles, coffee machines, fryers and other heat or damp sources should not be positioned directly on the surface. Do not use top close to heat sources (such as radiator). Edge could be damaged. Really dark colours (such as black) make stains more visible to the eye

Tutti i colori dei materiali e delle finiture illustrate hanno solo valore indicativo in quanto soggetti alle tolleranze dei processi di stampa.  
 Colors of materials and finishes are indicative as they depend on the tolerances of the printing process.

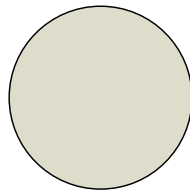
**STANDARD**



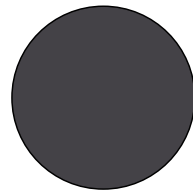
0020 ARPA  
White



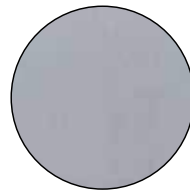
0204 ARPA  
Beige



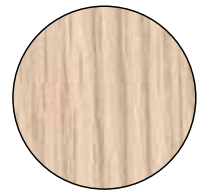
0527 ARPA  
Light grey



879 ABET  
Medium grey



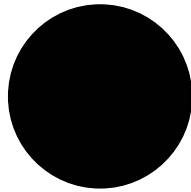
Alluminio  
Silver  
Aluminium



Rovere sbiancato  
Whitened oak  
Chêne blanc

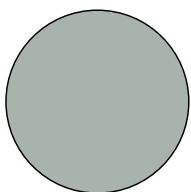


Wengè  
Wengè  
Wengè

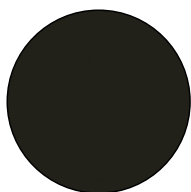


0509 ARPA  
Black

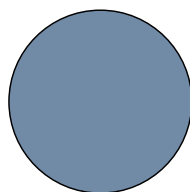
**SINTESI FOR YOU - COLORI. COLORS. COULEURS.**



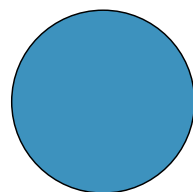
0210 ARPA  
Ice grey



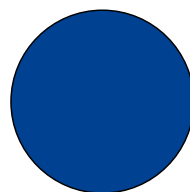
0526 ARPA  
Dull grey



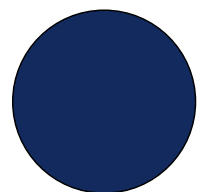
0675 ARPA  
Sky blue



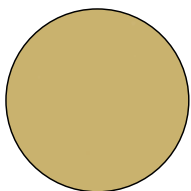
0569 ARPA  
Bright blue



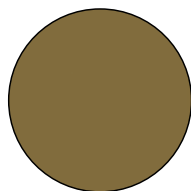
0566 ARPA  
Ocean blue



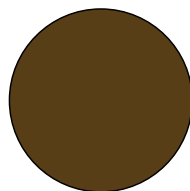
0593 ARPA  
Blue navy



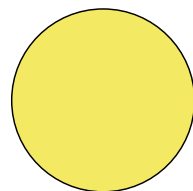
0536 ARPA  
Light sand



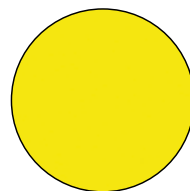
0576 ARPA  
Dark sand



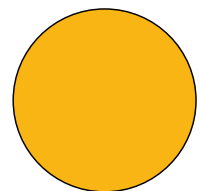
0559 ARPA  
Chocolate



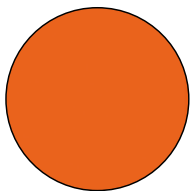
0573 ARPA  
Light yellow



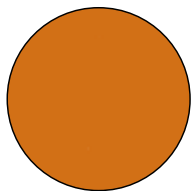
0670 ARPA  
Bright yellow



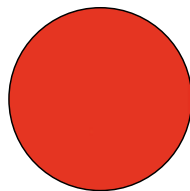
0564 ARPA  
Egg yellow



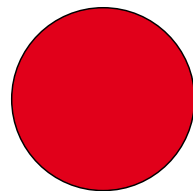
0682 ARPA  
Bright orange



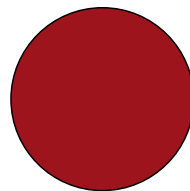
0543 ARPA  
Ocher



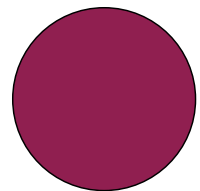
0500 ARPA  
Bright red



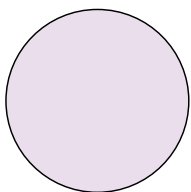
0561 ARPA  
Dark red



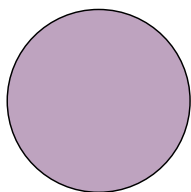
0571 ARPA  
Bordeaux



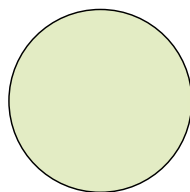
0594 ARPA  
Prune



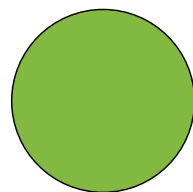
0606 ARPA  
Light purple



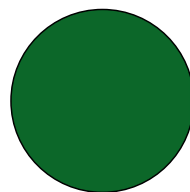
0605 ARPA  
Dark purple



0517 ARPA  
Light green



0660 ARPA  
Apple green



0549 ARPA  
Grass green

Tutti i colori dei materiali e delle finiture illustrate hanno solo valore indicativo in quanto soggetti alle tolleranze dei processi di stampa. Colors of materials and finishes are indicative as they depend on the tolerances of the printing process.

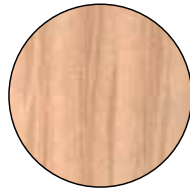
WOODS FOR YOU - LEGNI. WOOD. BOIS.



4521 ARPA



4071 ARPA



4420 ARPA



4520 ARPA



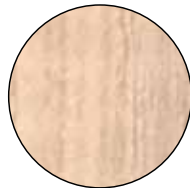
4519 ARPA



4516 ARPA



1877 ARPA



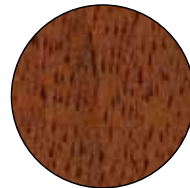
4518 ARPA



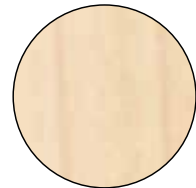
4303 ARPA



1372 ARPA



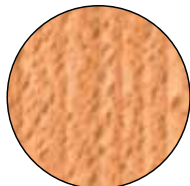
1886 ARPA



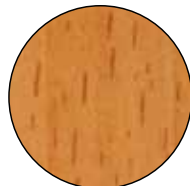
4327 ARPA



1955 ARPA



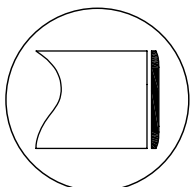
1852 ARPA



1286 ARPA



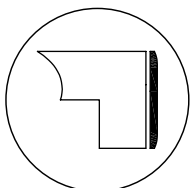
1890 ARPA



**ABS**  
Bordo. Edge. Bord

Spessore / Thickness / Epaisseur

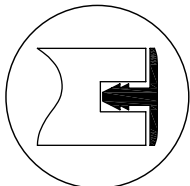
**20. 24. 30. mm**



**ABS**  
Bordo. Edge. Bord

Spessore / Thickness / Epaisseur

**50. mm**



**PVC NERO. BLACK. NOIR.**  
Bordo. Edge. Bord

Spessore / Thickness / Epaisseur

**24. mm**

La pulizia dipende dalla macchia/sporco, ci sono diversi metodi:

LEGGERO = panno di carta, straccio o spugna asciutto o umido

NORMALE = con un panno o una spazzola morbida in nylon, sapone delicato o detersivo liquido.

FORTE = Per macchie dovute a lunga esposizione a tea, caffè, ecc. usare sgrassatore domestico

**IMPORTANTE:** Non tagliare o tritare direttamente sulla superficie. Evitare detersivi abrasivi, agenti corrosivi o aggressivi. Non devono essere posizionati sulla superficie bollitori, macchine da caffè, friggitorici e altri oggetti caldi o bagnati. Non usare il piano vicino a fonti di calore (per esempio calorifero), il bordo potrebbe danneggiarsi. Colori molto scuri (come il nero) rendono le macchie e gli aloni maggiormente visibili.

Maintenance depending on the stains/dirt, there are different prescriptions:

LIGHT: dry or damp paper towels, a cloth or sponge.

NORMAL: with a cloth or soft nylon brush, soft soap or washing-up liquid.

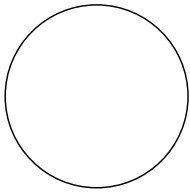
HEAVY: Discoloration stains through long exposure to tea, coffee, etc. use home degrease cleaning.

**IMPORTANT:** Please do not cut or chop directly on the worktop surface. Avoid abrasive cleaners, corrosive or aggressive cleaning agents. Kettles, coffee machines, fryers and other heat or damp sources should not be positioned directly on the surface. Do not use top close to heat sources (such as radiator), edge could be damaged. Really dark colours (such as black) make stains and rings more visible to the eye.

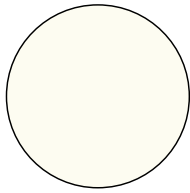
## 12. mm - Cuore nero. Black heart. Coeur noir.

Tutti i colori dei materiali e delle finiture illustrate hanno solo valore indicativo in quanto soggetti alle tolleranze dei processi di stampa. Colors of materials and finishes are indicative as they depend on the tolerances of the printing process.

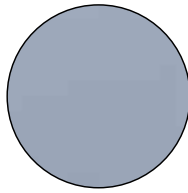
### STANDARD



0001 ARPA  
Bianco  
White



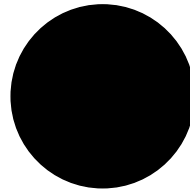
0244 ARPA  
Avorio  
Ivory



0210 ARPA  
Grigio chiaro  
Light grey



0526 ARPA  
Grigio scuro  
Dark grey



0509 ARPA  
Nero  
Black

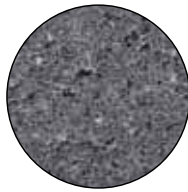
### PIETRA & LEGNO. STONE & WOOD.



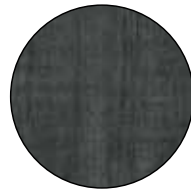
3276 ARPA  
Fiammato rosso  
Fire flame



3349 ARPA  
Fiammato nero  
Black flame



3340 ARPA  
Basalto  
Basalt



3394 ARPA  
Hipster carbon



6076 ARPA



6075 ARPA  
Palladio



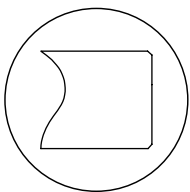
4517 ARPA  
Rovere carbone  
Carbon oak



4586 ARPA  
Rovere Texas  
Texas oak



4587 ARPA  
Rovere Slavonia  
Slavonia oak

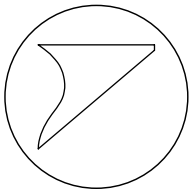


### DRITTO. STRAIGHT. PLAT

Bordo. Edge. Bord

Spessore / Thickness / Epaisseur

**12. mm**

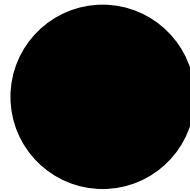


### SVASATO. INCLINED. EVASEE.

Bordo. Edge. Bord

Spessore / Thickness / Epaisseur

**12. mm**



**Cuore nero  
Black heart  
Coeur noir**

La pulizia dipende dalla macchia/sporco, ci sono diversi metodi:

LEGGERO = panno di carta, straccio o spugna asciutto o umido

NORMALE = con un panno o una spazzola morbida in nylon, sapone delicato o detersivo liquido.

FORTE = Per macchie dovute a lunga esposizione a tea, caffè, ecc. usare sgrassatore domestico

**IMPORTANTE:** Non tagliare o tritare direttamente sulla superficie. Evitare detersivi abrasivi, agenti corrosivi o aggressivi. Non devono essere posizionati sulla superficie bollitori, macchine da caffè, friggitorici e altri oggetti caldi o bagnati. Non usare il piano vicino a fonti di calore (per esempio calorifero), il bordo potrebbe danneggiarsi. Colori molto scuri (come il nero) rendono le macchie e gli aloni maggiormente visibili.

Maintenance depending on the stains/dirt, there are different prescriptions:

LIGHT: dry or damp paper towels, a cloth or sponge.

NORMAL: with a cloth or soft nylon brush, soft soap or washing-up liquid.

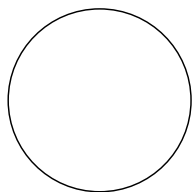
HEAVY: Discoloration stains through long exposure to tea, coffee, etc. use home degrease cleaning.

**IMPORTANT:** Please do not cut or chop directly on the worktop surface. Avoid abrasive cleaners, corrosive or aggressive cleaning agents. Kettles, coffee machines, fryers and other heat or damp sources should not be positioned directly on the surface. Do not use top close to heat sources (such as radiator), edge could be damaged. Really dark colours (such as black) make stains and rings more visible to the eye.

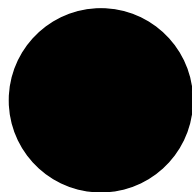


## 30. mm

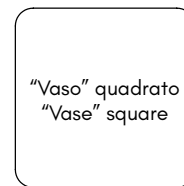
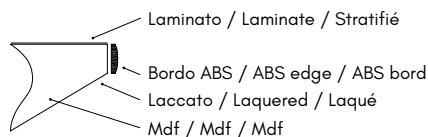
Tutti i colori dei materiali e delle finiture illustrate hanno solo valore indicativo in quanto soggetti alle tolleranze dei processi di stampa. Colors of materials and finishes are indicative as they depend on the tolerances of the printing process.



Bianco  
White



Nero  
Black



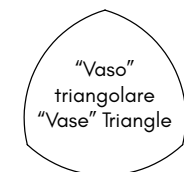
"Vaso" quadrato  
"Vase" square



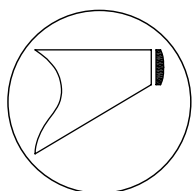
"Vaso" botte  
"Vase" barrel



"Vaso" rotondo  
"Vase" round



"Vaso"  
triangolare  
"Vase" triangle



### ABS Bordo. Edge. Bord

Spessore / Thickness / Epaisseur

## 30. mm

La pulizia dipende dalla macchia/sporco, ci sono diversi metodi:

LEGGERO = panno di carta, straccio o spugna asciutto o umido

NORMALE = con un panno o una spazzola morbida in nylon, sapone delicato o detersivo liquido.

FORTE = Per macchie dovute a lunga esposizione a tea, caffè, ecc. usare sgrassatore domestico

**IMPORTANTE:** Non tagliare o tritare direttamente sulla superficie. Evitare detersivi abrasivi, agenti corrosivi o aggressivi. Non devono essere posizionati sulla superficie bollitori, macchine da caffè, friggitorici e altri oggetti caldi o bagnati. Non usare il piano vicino a fonti di calore (per esempio calorifero), il bordo potrebbe danneggiarsi. Colori molto scuri (come il nero) rendono le macchie e gli aloni maggiormente visibili.

Maintenance depending on the stains/dirt, there are different prescriptions:

LIGHT: dry or damp paper towels, a cloth or sponge.

NORMAL: with a cloth or soft nylon brush, soft soap or washing-up liquid.

HEAVY: Discoloration stains through long exposure to tea, coffee, etc. use home degrease cleaning.

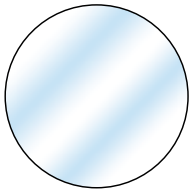
**IMPORTANT:** Please do not cut or chop directly on the worktop surface. Avoid abrasive cleaners, corrosive or aggressive cleaning agents. Kettles, coffee machines, fryers and other heat or damp sources should not be positioned directly on the surface. Do not use top close to heat sources (such as radiator), edge could be damaged. Really dark colours (such as black) make stains and rings more visible to the eye.

# VETRO / GLASS / VERRE

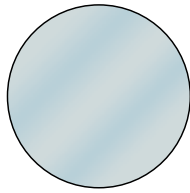
## 10. 12. mm - Temprato. Tempered

.datasheet

Tutti i colori dei materiali e delle finiture illustrate hanno solo valore indicativo in quanto soggetti alle tolleranze dei processi di stampa. Colors of materials and finishes are indicative as they depend on the tolerances of the printing process.



Trasparente  
Transparent  
Transparent



Satinato  
Satin  
Satin

La pulizia dipende dalla macchia/sporco, ci sono diversi metodi:

LEGGERO = panno di carta, straccio o spugna asciutto o umido

NORMALE = con un panno o una spazzola morbida in nylon, sapone delicato o detersivo liquido.

FORTE = Per macchie dovute a lunga esposizione a tea, caffè, ecc. usare sgrassatore domestico

**IMPORTANTE:** Non tagliare o tritare direttamente sulla superficie. Evitare detersivi abrasivi, agenti corrosivi o aggressivi. Non devono essere posizionati sulla superficie bollitori, macchine da caffè, friggitorici e altri oggetti caldi o bagnati. Non usare il piano vicino a fonti di calore (per esempio calorifero), il bordo potrebbe danneggiarsi. Colori molto scuri (come il nero) rendono le macchie e gli aloni maggiormente visibili.

Maintenance depending on the stains/dirt, there are different prescriptions:

LIGHT: dry or damp paper towels, a cloth or sponge.

NORMAL: with a cloth or soft nylon brush, soft soap or washing-up liquid.

HEAVY: Discoloration stains through long exposure to tea, coffee, etc. use home degrease cleaning.

**IMPORTANT:** Please do not cut or chop directly on the worktop surface. Avoid abrasive cleaners, corrosive or aggressive cleaning agents. Kettles, coffee machines, fryers and other heat or damp sources should not be positioned directly on the surface. Do not use top close to heat sources (such as radiator), edge could be damaged. Really dark colours (such as black) make stains and rings more visible to the eye.

Tutti i colori dei materiali e delle finiture illustrate hanno solo valore indicativo in quanto soggetti alle tolleranze dei processi di stampa. Colors of materials and finishes are indicative as they depend on the tolerances of the printing process.



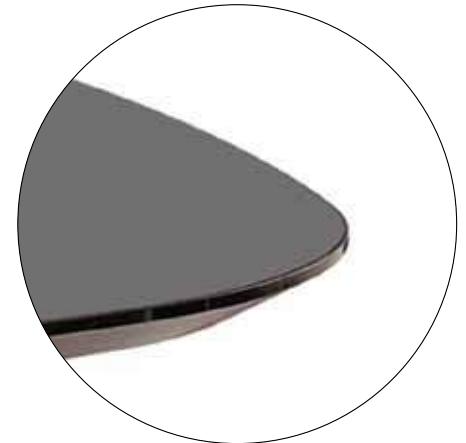
**ABS**

LAMINATO. LAMINATE. STRATIFIE.  
MELAMINICO. MELAMINE. MELAMINE.



**PVC**

LAMINATO. LAMINATE. STRATIFIE.  
MELAMINICO. MELAMINE. MELAMINE.



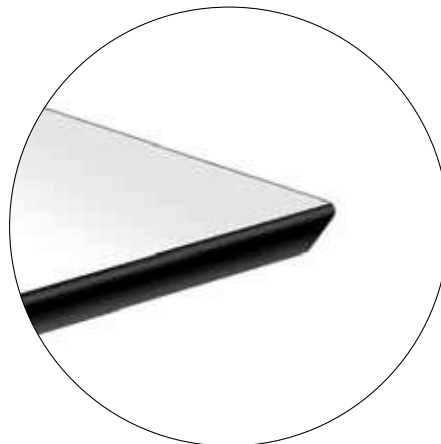
**ABS**

“VASO” LAMINATO. LAMINATE. STRATIFIE.



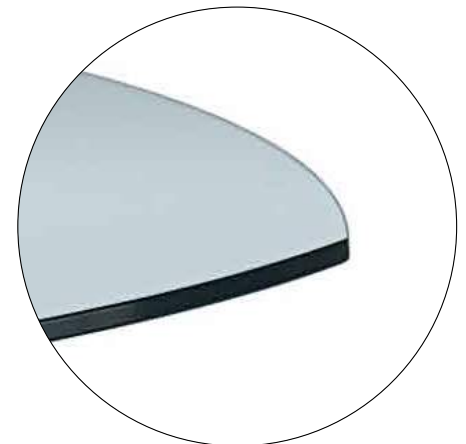
**HPL. STRAIGHT**

DRITTO. STRAIGHT. PLAT



**HPL. INCLINED**

SVASATO. INCLINED. EVASEE.



**GLASS**

VETRO. GLASS. VERRE.

La pulizia dipende dalla macchia/sporco, ci sono diversi metodi:

LEGGERO = panno di carta, straccio o spugna asciutto o umido

NORMALE = con un panno o una spazzola morbida in nylon, sapone delicato o detersivo liquido.

FORTE = Per macchie dovute a lunga esposizione a tea, caffè, ecc. usare sgrassatore domestico

**IMPORTANTE:** Non tagliare o tritare direttamente sulla superficie. Evitare detersivi abrasivi, agenti corrosivi o aggressivi. Non devono essere posizionati sulla superficie bollitori, macchine da caffè, friggitorici e altri oggetti caldi o bagnati. Non usare il piano vicino a fonti di calore (per esempio calorifero), il bordo potrebbe danneggiarsi. Colori molto scuri (come il nero) rendono le macchie e gli aloni maggiormente visibili.

Maintenance depending on the stains/dirt, there are different prescriptions:

LIGHT: dry or damp paper towels, a cloth or sponge.

NORMAL: with a cloth or soft nylon brush, soft soap or washing-up liquid.

HEAVY: Discoloration stains through long exposure to tea, coffee, etc. use home degrease cleaning.

**IMPORTANT:** Please do not cut or chop directly on the worktop surface. Avoid abrasive cleaners, corrosive or aggressive cleaning agents. Kettles, coffee machines, fryers and other heat or damp sources should not be positioned directly on the surface. Do not use top close to heat sources (such as radiator), edge could be damaged. Really dark colours (such as black) make stains and rings more visible to the eye.

---

## NOTE

---

**NOTE**

---

## NOTE

**°°° ORDINI**

Gli ordini, in qualsiasi forma vengano effettuati, hanno efficacia di proposta irrevocabile. La fornitrice ha facoltà di accettare l'ordine anche mediante la mera esecuzione dello stesso.

\* Resa merce: Franco Fabbrica.

\* I prezzi a listino sono espressi in euro (IVA esclusa)

**°°° GARANZIA**

La merce viaggia a rischio del committente. Il cliente decade dal diritto alla garanzia se non ci denuncia per iscritto i vizi della merce entro otto giorni solari dal ricevimento della fornitura. Il cliente avrà l'onere di eseguire i necessari controlli, prove e verifiche in modo da poter effettuare l'eventuale denuncia di vizi o difetti nel termine predetto e comunque prima di disporre della merce. Il cliente ci riterrà indenni da ogni responsabilità per danni materiali o fisici che suoi dipendenti o terzi dovessero subire da nostri prodotti o da contenitori della nostra merce comunque messi in circolazione dal cliente e/o da suoi aventi causa. Questa garanzia è limitata esclusivamente alla sostituzione gratuita della merce da noi riconosciuta affetta da vizi o difetti, previa verifica degli stessi da parte di nostri tecnici, senza alcun altro compenso o risarcimento, che rimangono tassativamente esclusi. La presente garanzia è l'unica che assiste la nostra merce.

**°°° CONSEGNA**

La data di consegna è sempre indicativa salvo nostre specifiche. Ritardi nelle consegne, per qualsiasi causa, non danno diritto al risarcimento di danni diretti e indiretti e ad annullamento di ordinazioni per quanto già approntato ed eseguito.

**°°° PAGAMENTO**

L'azienda, in caso di pagamento dilazionato, rilascia la merce in regime di riserva di proprietà sino al giorno del saldo completo della fattura da parte del cliente, in caso di insolvenza l'azienda potrà provvedere al ritiro della merce. Il pagamento deve essere fatto presso la nostra sede entro i termini pattuiti. I pagamenti non possono essere sospesi o ritardati, neppure in parte e per nessuna ragione. Il ritardo oltre i termini convenuti ci autorizza a gravare l'importo dovuto degli interessi moratori, calcolati nella misura dei 4 punti oltre il prime rate bancario in vigore al momento del ritardo. Il ritardo provocherà l'immediato addebito di sconti cassa precedentemente concessi relativamente all'importo dovuto, salva la nostra facoltà di ritenere risolto il contratto indipendentemente dall'importanza dell'inadempimento ed ogni altro nostro diritto.

**°°° TRASPORTO**

Reclami riguardanti le merci saranno valutati solo se esposti entro 7 gg dal ricevimento della merce. La merce viaggia sempre a rischio e pericolo del committente anche se ne è stata convenuta la resa franco destino e se la medesima è stata caricata su nostri automezzi o se è stata affidata a vettori o spedizionieri diversi da quelli indicati dal cliente. Qualora la merce pervenga con imballo danneggiato, questi sarà tenuto a far verbalizzare da chi effettua la consegna le eventuali avarie, deficienze o manomissioni subite dall'imballo e dalla merce stessa al momento della consegna. La merce trattenuta nei nostri magazzini per ritardo nel ritiro o differimento nella consegna per fatto del cliente, ci autorizza a nostra scelta, alla spedizione o alla custodia a rischio e spese del cliente, riservandoci la fatturazione. Quando la consegna della merce debba effettuarsi contro riscossione del relativo valore, ovvero "Contrassegno" il cliente dovrà provvedere al pagamento dell'importo dovuto prima dello scarico fisico della nostra merce presso il suo magazzino o il carico della stessa su automezzo di sua proprietà.

**°°° RESI**

La merce che per cause dovute a difetti di fabbricazione e che rientra nei termini di garanzia, potrà essere resa in porto franco, dopo l'approvazione scritta del nostro personale, e corredata dall'apposita documentazione. Il magazzino respingerà qualsiasi invio non conforme alle norme.

**°°° COMPETENZE**

Per ogni controversia è competente il foro di Lecco, Italia.

**°°° MODIFICHE**

La Corbetta Salvatore srl si riserva il diritto di apportare modifiche e variazioni agli articoli illustrati (es. pesi, dimensioni, colori, confezioni e confezionamenti...) senza alcun preavviso dovuti a necessità industriali o volte al miglioramento della qualità dei prodotti. Per qualsiasi informazione di ordine tecnico e commerciale l'azienda è sempre disponibile ai recapiti indicati.

**NOTE E RACCOMANDAZIONI**

**La Corbetta Salvatore Srl declina ogni responsabilità per usi non corretti e non conformi del prodotto.**

\* Non utilizzare sostanze detergenti o solventi troppo aggressivi per la pulizia dei prodotti. Pulire con acqua.

\* Non apportare modifiche o effettuare riparazioni del prodotto senza previa approvazione da parte dell'azienda, potrebbero alterare l'integrità,

funzionalità e, in casi estremi, la sicurezza dello stesso.

\* Spostare i basamenti con cura.

\* Comunicare se il materiale dovrà essere utilizzato in zone climatiche particolari (mare o montagna) o sottoposto a forti stress

(Es. Scarponi da sci) in modo che l'azienda predisponga o suggerisca il prodotto più idoneo per l'uso che deve andare a soddisfare.

\* La Corbetta Salvatore Srl non fornisce le viti per il fissaggio dei piani nel caso che vengano ordinate solo le basi del tavolo.

**ORDERS**

Orders, in whatever form they are made, have the effect of an irrevocable offer. The supplier may accept the order also by the mere execution thereof.

\* Delivery of merchandise: Ex Works.

\* The list prices are in Euro (excluding VAT)

**WARRANTY**

The goods transportation is at the buyer's risk. The customer loses the right to the warranty if he fails to issue a formal written report of defective merchandise within eight calendar days of receiving the supply. The customer will be required to carry out the necessary checks, tests and inspections to enable him to submit said formal report of defects or flaws, as necessary, by the aforementioned deadline and, in any case, prior to making arrangements for the merchandise. The customer indemnifies us against any liability for material or physical loss or damage which may be suffered by its employees or by third parties from our products or from containers of our merchandise put into circulation by the customer and/or his assigns. This warranty is limited exclusively to the free substitution of merchandise acknowledged by us to be affected by faults or flaws, after the existence thereof has been verified by our technicians, and any other payment or compensation shall be strictly excluded. This guarantee is the sole guarantee which applies to our merchandise.

**DELIVERY**

The delivery date is always intended as a guide only and subject to our specifications. Delays in delivery, for whatever reason, will grant no entitlement to compensation for direct or indirect loss or to the cancellation of orders that have been already prepared and executed.

**PAYMENT**

In the event of delayed payment, the company will issue the merchandise subject to retention of title until the date of payment by the customer of the full invoice balance, and in the event of insolvency the company may withdraw the merchandise. Payment must be made at our headquarters by the agreed deadline. Payments may not be suspended or delayed, even in part or for any reason. Delay beyond agreed deadlines will authorise us to apply default interest to the amount due, calculated at 4 points over the bank prime rate in effect at the time of the delay. The delay will lead to the immediate debiting of cash discounts previously granted on the amount due, without prejudice to our entitlement to deem the contract terminated irrespective of the seriousness of the default and without prejudice to any other right held by us.

**TRANSPORTATION**

Complaints relating to the merchandise will be assessed only if submitted within 7 days of the receipt thereof. Merchandise always travels at the buyer's risk even if delivery carriage paid has been agreed, also if said merchandise has been loaded onto our vehicles, or if this has been entrusted to carriers or shippers other than those indicated by the customer. If the merchandise arrives with damaged packaging, the customer shall ensure that the person making the delivery duly records any damage, shortcomings or tampering with the packaging and with the merchandise itself at the time of delivery. If merchandise is kept in our warehouses as a result of delay in withdrawal or postponement of the delivery for reasons attributable to the customer, this shall entitle us - at our discretion - to make the delivery ourselves or to hold the merchandise at the customer's risk, reserving the right to issue the appropriate invoice. If the delivery of the merchandise is made on a cash on delivery (COD) basis, the customer must pay the amount due prior to the physical unloading of our merchandise at his warehouse or the loading thereof onto the vehicles of said customer.

**RETURNS**

Merchandise subject to manufacturing defects within guarantee may be returned carriage paid, subject to the written approval of our personnel and accompanied by the appropriate documentation. The warehouse will not accept any returns that fail to comply with applicable rules.

**JURISDICTION**

The Court of Lecco, Italy, shall have exclusive jurisdiction in relation to any disputes arising between the parties.

**CHANGES**

Corbetta Salvatore S.r.l. reserves the right, without advance notice, to make changes and variations to the articles described (e.g. weight, dimensions, colours, packaging...), based on industrial requirements or in order to improve product quality. The company may be contacted at any time for any technical and commercial information sought, using the contact details provided.

**NOTES AND RECOMMENDATIONS****Corbetta Salvatore S.r.l. shall not be liable for the improper and irregular use of the product.**

\* Do not use overly-aggressive detergents or solvents to clean the products. Clean with water.

\* Do not make changes or repairs to the product without prior approval by the company, as these could impair the integrity, functionality and, in extreme cases, the safety of said product.

\* Move the bases with care.

\* Please notify whether the material is to be used in particular climatic zones (marine or mountain) or subject to significant stress (e.g. ski boots), so that the company can make available or suggest a more suitable product for the use in question.

\* Corbetta Salvatore S.r.l. does not provide screws for fastening table tops where the table bases only are ordered.



**COMMANDES**

Les commandes, indépendamment de la forme sous laquelle elles se présentent, ont une valeur de proposition irrévocable. Le fournisseur a la faculté d'accepter la commande au moyen de l'exécution pure et simple de cette dernière.

\* Retour marchandise : départ usine.

\* Les prix au catalogue sont libellés en euros (TVA exclusion)

**GARANTIE**

La marchandise voyage aux risques et périls du commettant ; le client perd son droit à la garantie s'il ne nous signale pas par écrit les défauts de la marchandise dans un délai de huit jours solaires à compter de la réception de la fourniture. Le client devra effectuer les contrôles, essais et vérifications qui s'imposent de façon à pouvoir effectuer tout éventuel signalement de vices ou de défauts dans le délai susmentionné et toujours avant de disposer de la marchandise. Le client nous dégagera de toute responsabilité face à des dommages matériels ou physiques que son personnel ou des tiers pourraient subir du fait de nos produits ou conteneurs de notre marchandise mis en circulation par le client et/ou par ses ayants cause. Cette garantie se limite exclusivement au remplacement gratuit de la marchandise que nous reconnaissons comme étant affectée par des vices ou des défauts, après vérification de ces derniers par nos techniciens, sans aucune autre compensation ou dédommagement qui demeurent donc impérativement exclus. La présente garantie est la seule qui assiste notre marchandise.

**LIVRAISON**

La date de livraison est toujours fournie à titre indicatif, sous réserve de spécifications de notre part. Des retards dans les livraisons, quelle qu'en soit la raison, ne donnent ni droit au remboursement de dommages directs ou indirects ni à l'annulation de commandes déjà préparées et effectuées.

**PAIEMENT**

En cas de paiement échelonné, l'entreprise délivre la marchandise à titre de régime de réserve de propriété jusqu'au jour du solde intégral de la facture par le client ; en cas d'insolvabilité, l'entreprise pourra procéder au retrait de la marchandise. Le paiement doit avoir lieu dans notre siège et selon les délais concordés. Les paiements ne peuvent pas être suspendus ou retardés, pas même partiellement et pour aucune raison. Tout retard, à savoir tout paiement dépassant les délais convenus, nous autorise à charger le montant à devoir des intérêts moratoires, calculés dans la mesure des 4 points supérieurs au taux de base bancaire en vigueur au moment du retard. Tout retard provoquera le débit immédiat des escomptes de caisse préalablement accordés relativement au montant dû, sous réserve de notre faculté de considérer le contrat comme étant résilié indépendamment de l'importance de l'inaccomplissement et tout autre droit nous revenant.

**TRANSPORT**

Les réclamations inhérentes aux marchandises ne seront évaluées que si elles sont présentées dans un délai de 7 jours à compter de la réception de la marchandise ; la marchandise voyage toujours aux risques et périls du commettant même si le retour franco rendu au point de destination en a été convenu et que cette dernière a été chargée sur nos véhicules de transport ou confiée à des expéditeurs ou courtiers autres que ceux indiqués par le client. Si la marchandise parvient dans un emballage endommagé, le client devra faire verbaliser par la personne qui effectue la livraison les éventuelles avaries, carences ou altérations subies par l'emballage et par ladite marchandise au moment de la livraison. La marchandise retenue dans nos magasins du fait d'un retard dans son retrait ou d'un report dans la livraison à cause du client nous autorise, à notre gré, à son expédition ou à son dépôt aux risques et aux frais du client et à en facturer le montant. Lorsque la livraison de la marchandise doit avoir lieu contre l'encaissement de sa valeur correspondante, c'est-à-dire contre-remboursement, le client devra régler le montant dû avant le déchargement physique de notre marchandise dans son magasin ou son chargement sur un véhicule lui appartenant.

**RETOURS**

Pour des raisons dues à des défauts de fabrication, la marchandise, conforme aux termes de la garantie, pourra être rendue franco de port, après approbation écrite de notre personnel et accompagnée de la documentation prévue à cet effet. Le magasin repoussera tout envoi non conforme aux normes.

**COMPÉTENCES**

Face à tout litige, le tribunal de Lecco, en Italie, sera compétent.

**MODIFICATIONS**

La société Corbetta Salvatore srl se réserve le droit d'apporter des modifications et des variations aux articles illustrés (ex. poids, dimensions, couleurs, emballages et conditionnements...) sans aucun préavis du fait de nécessités industrielles ou dans le but d'améliorer la qualité des produits. Pour toute information d'ordre technique et commercial, l'entreprise est toujours disponible aux adresses indiquées.

**NOTES ET RECOMMANDATIONS**

**La société Corbetta Salvatore Srl décline toute responsabilité face à des emplois non corrects et non conformes du produit.**

\* Ne pas utiliser de substances détergentes ou de solvants trop agressifs pour nettoyer les produits. Nettoyer à l'eau.

\* Ne pas apporter de modifications et ne pas effectuer de réparations au produit sans l'approbation préalable de l'entreprise car cela pourrait en altérer l'intégrité, la fonctionnalité et, dans des cas extrêmes, la sécurité.

\* Déplacer les bases avec soin.

\* Ne pas oublier de communiquer si le matériel devra être utilisé dans des régions climatiques particulières (mer ou montagne) ou s'il est soumis à de fortes tensions (ex. chaussures de ski) de sorte que l'entreprise prépare ou propose le produit le plus indiqué pour l'utilisation à laquelle il est destiné.

\* La société Corbetta Salvatore Srl ne fournit pas les vis pour la fixation des supports si seules les bases de la table sont commandées.

Design by Marvi. 2017



CORBETTA SALVATORE

Viale Lombardia, 18 - 23847 - Molteno (LC) - ITALY  
Tel. 031/850575 - Fax 031/875218  
[info@corbettasalvatore.com](mailto:info@corbettasalvatore.com)  
[www.corbettasalvatore.com](http://www.corbettasalvatore.com)





CORBETTA SALVATORE